

# SALINA

Famille de spots encastrés downlight pour éclairage d'accentuation en intérieur. L'appareil peut être orienté à 30° verticalement et à 355° horizontalement pour diriger la lumière dans tous les sens. La structure modulaire sépare la lampe en plusieurs parties indépendantes. Les anneaux externes avec diverses finitions sont faciles à monter et peuvent être facilement remplacés pour satisfaire les exigences diverses d'ouverture et les effets esthétiques. Salina est disponible avec plusieurs accessoires d'optique pour satisfaire les différents besoins d'éclairage.



# RECESSED TRIMLESS 15° | 2700K

## LAMPING

Source	LED
Total power	10W
Emission	direct adjustable 15°
Switching	according to driver
Tension	max 270mA
Color temperature	2700K
Luminous flux	640lm
Initial luminaire efficacy	64lm/W
Initial chromaticity	SDCM<3
Typ CRI	90
Energy class	F
IP class	20
Dimensions	ø7,1x9,5cm
Ambient temperature range	0°C / +35°C
Performance ambient temperature	25°C
Notes	driver and ring not included, orientable spot, trimless recessed hole Ø 77mm, depth 150mm, trim recessed hole Ø 75mm, cable length 0,4m

Accessories  
Net lamp weight

Drivers, Salina | Ring,  
0,27 kg

## Codes

SAL LW2 61

## Structure

white

## PACKAGE

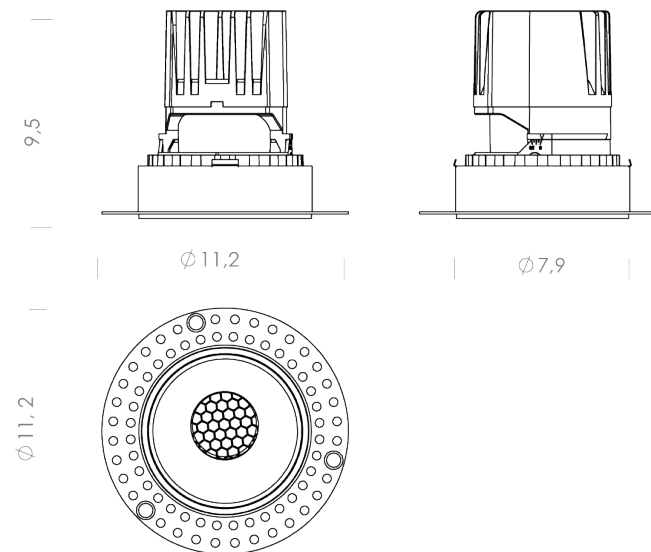
Package 01

Dimension: 46x42x22 cm / Gross weight: 0,31 kg

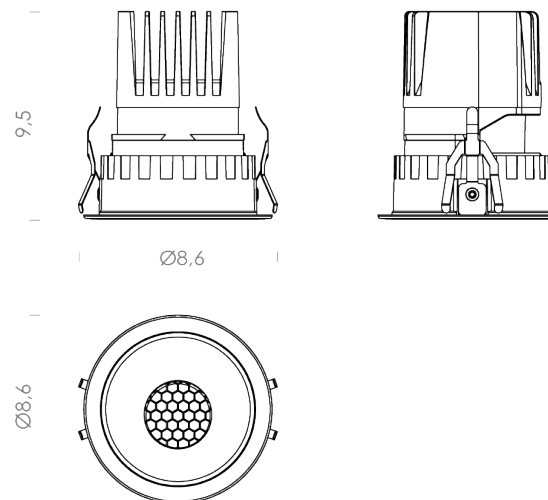
## Certificazioni



SALINA TRIMLESS



SALINA TRIM



# RECESSED TRIMLESS 15° | 3000K

## LAMPING

Source	LED
Total power	10W
Emission	direct adjustable 15°
Switching	according to driver
Tension	max 270mA
Color temperature	2700K
Luminous flux	740lm
Initial luminaire efficacy	74lm/W
Initial chromaticity	SDCM<3
Typ CRI	90
Energy class	F
IP class	20
Dimensions	ø7,1x9,5cm
Ambient temperature range	0°C / +35°C
Performance ambient temperature	25°C
Notes	driver and ring not included, orientable spot, trimless recessed hole Ø 77mm, depth 150mm, trim recessed hole Ø 75mm, cable length 0,4m

Accessories  
Net lamp weight

Drivers, Salina | Ring,  
0,27 kg

## Codes

SAL LW3 61

## Structure

white

## PACKAGE

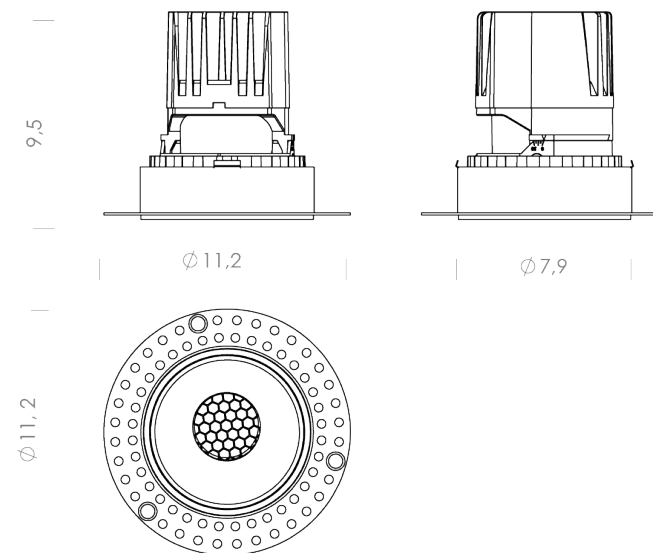
Package 01

Dimension: 46x42x22 cm / Gross weight: 0,31 kg

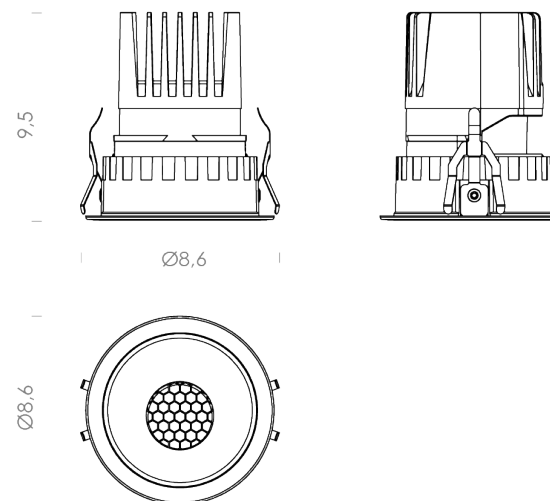
## Certificazioni



SALINA TRIMLESS



SALINA TRIM



# RECESSED TRIMLESS 35° | 3000K

## LAMPING

Source	LED
Total power	10W
Emission	direct adjustable 35°
Switching	according to driver
Tension	max 270mA
Color temperature	3000K
Luminous flux	770lm
Initial luminaire efficacy	77lm/W
Initial chromaticity	SDCM<3
Typ CRI	90
Energy class	F
IP class	20
Dimensions	ø7,1x9,5cm
Ambient temperature range	0°C / +35°C
Performance ambient temperature	25°C
Notes	driver and ring not included, orientable spot, trimless recessed hole Ø 77mm, depth 150mm, trim recessed hole Ø 75mm, cable length 0,4m

Accessories  
Net lamp weight

Drivers, Salina | Ring,  
0,27 kg

## Codes

SAL LW3 63

## Structure

white

## PACKAGE

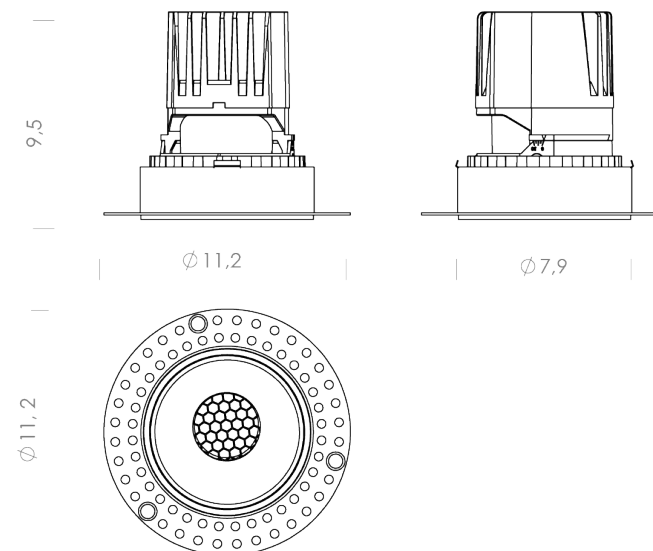
Package 01

Dimension: 46x42x22 cm / Gross weight: 0,31 kg

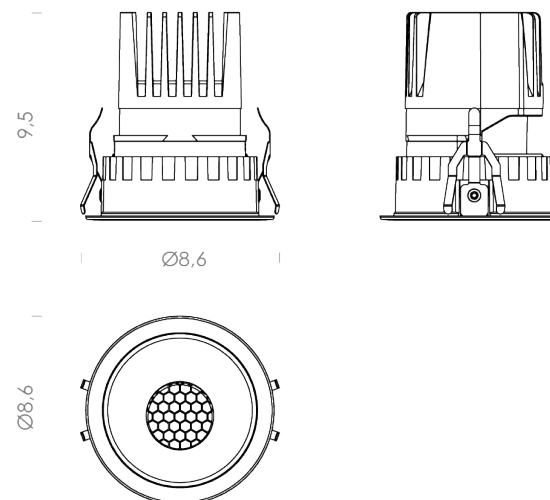
## Certificazioni



SALINA TRIMLESS



SALINA TRIM



# RECESSED TRIMLESS 35° | 2700K

## LAMPING

Source	LED
Total power	10W
Emission	direct adjustable 35°
Switching	according to driver
Tension	max 270mA
Color temperature	2700K
Luminous flux	670lm
Initial luminaire efficacy	67lm/W
Initial chromaticity	SDCM<3
Typ CRI	90
Energy class	F
IP class	20
Dimensions	ø7,1x9,5cm
Ambient temperature range	0°C / +35°C
Performance ambient temperature	25°C
Notes	driver and ring not included, orientable spot, trimless recessed hole Ø 77mm, depth 150mm, trim recessed hole Ø 75mm, cable length 0,4m

Accessories  
Net lamp weight

Drivers, Salina | Ring,  
0,27 kg

## Codes

SAL LW2 63

## Structure

white

## PACKAGE

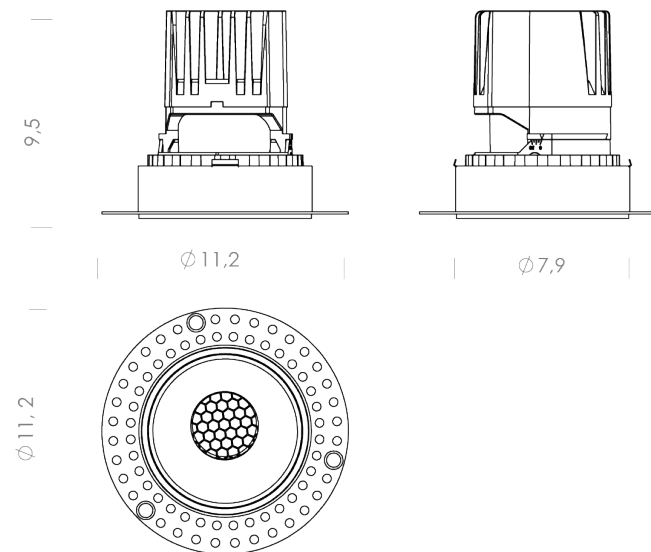
Package 01

Dimension: 46x42x22 cm / Gross weight: 0,31 kg

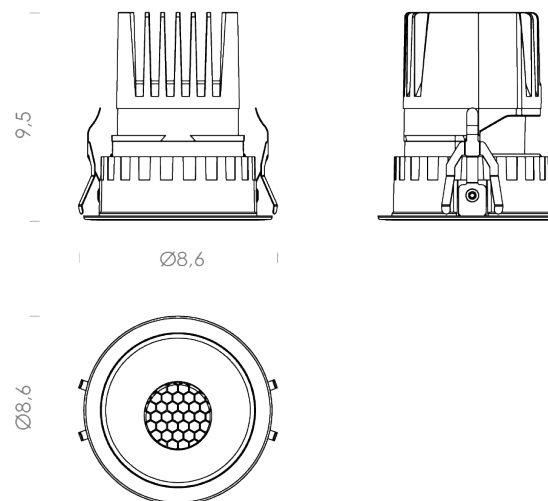
## Certificazioni



SALINA TRIMLESS



SALINA TRIM



# RECESSED TRIM 15° | 2700K

## LAMPING

Source	LED
Total power	10W
Emission	direct adjustable 15°
Switching	according to driver
Tension	max 270mA
Color temperature	2700K
Luminous flux	700lm
Initial luminaire efficacy	70lm/W
Initial chromaticity	SDCM<3
Typ CRI	90
Energy class	F
IP class	20
Dimensions	ø7,1x9,5cm
Ambient temperature range	0°C / +35°C
Performance ambient temperature	25°C
Notes	driver and ring not included, orientable spot, trimless recessed hole Ø 77mm, depth 150mm, trim recessed hole Ø 75mm, cable length 0,4m

Accessories  
Net lamp weight

Drivers, Salina | Ring,  
0,31 kg

## Codes

SAT LW2 61  
SAT LN2 61

## Structure

white  
black

## PACKAGE

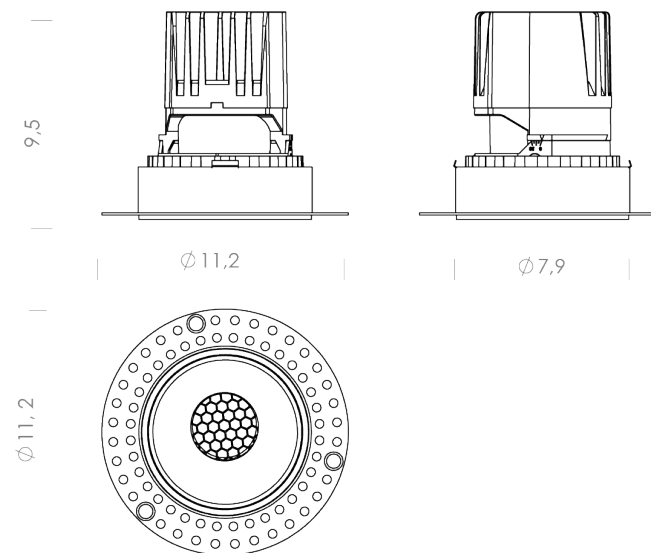
Package 01

Dimension: 46x42x22 cm / Gross weight: 0,34 kg

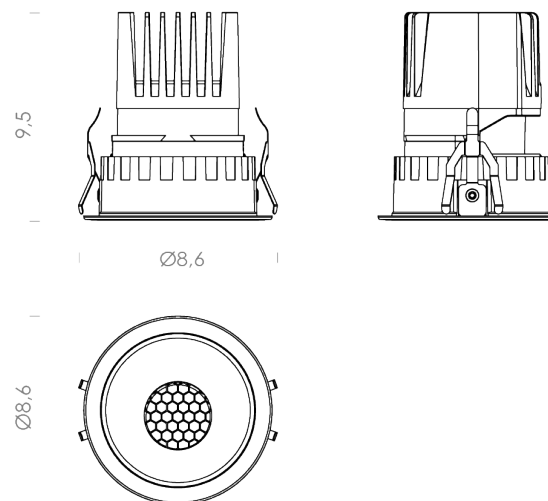
## Certificazioni



SALINA TRIMLESS



SALINA TRIM



# RECESSED TRIM 15° | 3000K

## LAMPING

Source	LED
Total power	10W
Emission	direct adjustable 15°
Switching	according to driver
Tension	max270mA
Color temperature	3000K
Luminous flux	740lm
Initial luminaire efficacy	74lm/W
Initial chromaticity	SDCM<3
Typ CRI	90
Energy class	F
IP class	20
Dimensions	ø9x9,5cm
Ambient temperature range	0°C / +35°C
Performance ambient temperature	25°C
Notes	driver and ring not included, orientable spot, trimless recessed hole Ø 77mm, depth 150mm, trim recessed hole Ø 75mm, cable length 0,4m

Accessories  
Net lamp weight

Drivers, Salina | Ring,  
0,31 kg

## Codes

SAT LW3 61  
SAT LN3 61

## Structure

white  
black

## PACKAGE

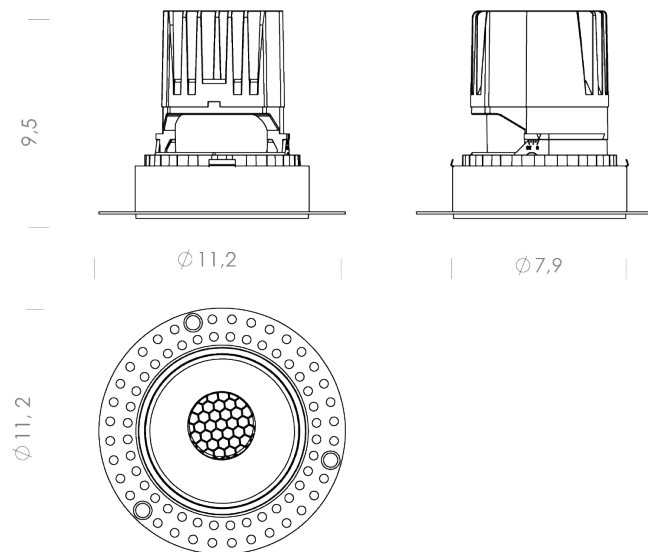
Package 01

Dimension: 46x42x22 cm / Gross weight: 0,34 kg

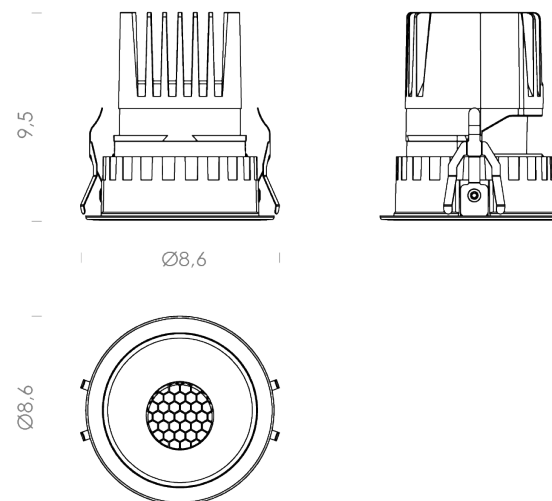
## Certificazioni



SALINA TRIMLESS



SALINA TRIM



## RECESSED TRIM 35° | 3000K

### LAMPING

Source	LED
Total power	10W
Emission	direct adjustable 35°
Switching	according to driver
Tension	max 270mA
Color temperature	3000K
Luminous flux	770lm
Initial luminaire efficacy	77lm/W
Initial chromaticity	SDCM<3
Typ CRI	90
Energy class	F
IP class	20
Dimensions	ø9x9,5cm
Ambient temperature range	0°C / +35°C
Performance ambient temperature	25°C
Notes	driver and ring not included, orientable spot, trimless recessed hole Ø 77mm, depth 150mm, trim recessed hole Ø 75mm, cable length 0,4m

Accessories  
Net lamp weight

Drivers, Salina | Ring,  
0,31 kg

### Codes

SAT LW3 63  
SAT LN3 63

### Structure

white  
black

### PACKAGE

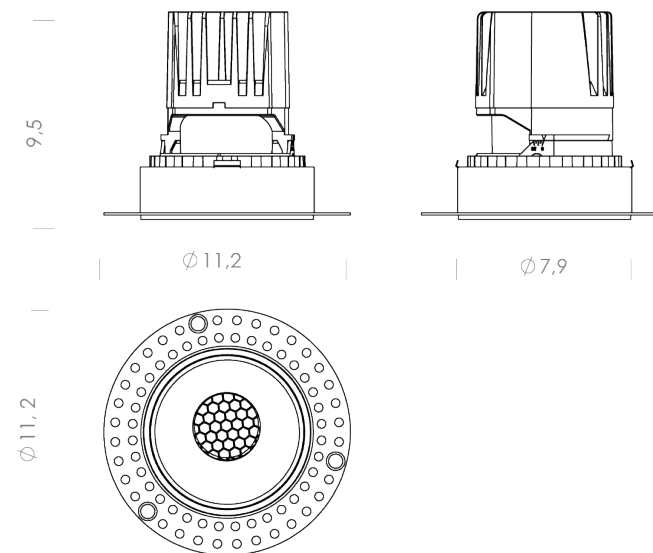
Package 01

Dimension: 46x42x22 cm / Gross weight: 0,34 kg

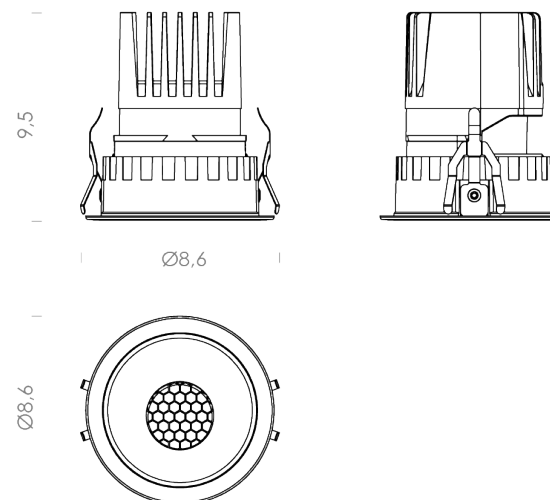
### Certificazioni



SALINA TRIMLESS



SALINA TRIM





# RECESSED TRIM 35° | 2700K

## LAMPING

Source	LED
Total power	10W
Emission	direct adjustable 35°
Switching	according to driver
Tension	max 270mA
Color temperature	2700K
Luminous flux	670lm
Initial luminaire efficacy	67lm/W
Initial chromaticity	SDCM<3
Typ CRI	90
Energy class	F
IP class	20
Dimensions	ø9x9,5cm
Ambient temperature range	0°C / +35°C
Performance ambient temperature	25°C
Notes	driver and ring not included, orientable spot, trimless recessed hole Ø 77mm, depth 150mm, trim recessed hole Ø 75mm, cable length 0,4m

Accessories  
Net lamp weight

Drivers, Salina | Ring,  
0,31 kg

## Codes

SAT LW2 63  
SAT LN2 63

## Structure

white  
black

## PACKAGE

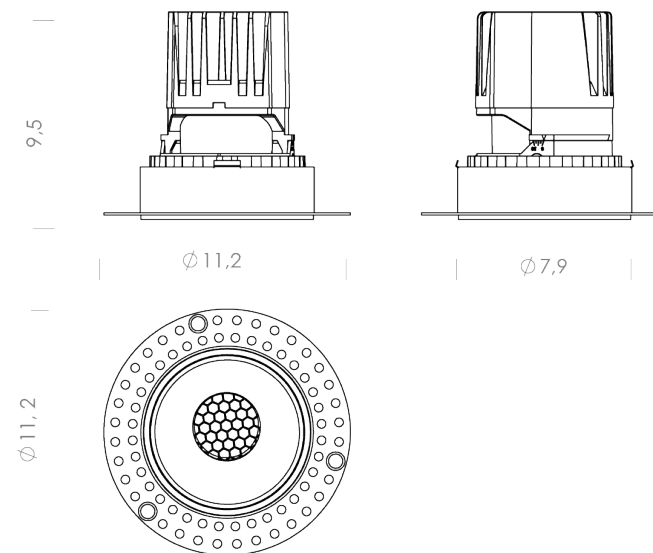
Package 01

Dimension: 46x42x22 cm / Gross weight: 0,34 kg

## Certificazioni



SALINA TRIMLESS



SALINA TRIM

