

SALINA

Family of recessed indoor downlights for accent lighting. The luminaire/fixture is rotatable by 30° vertically and 355° horizontally to allow the free orientation of the light in any direction.

The modular structure separates the lamp into several independent parts.

The outer rings with different finishes are simple to assemble and can be replaced easily to meet different opening requirements and appearance effects.

A variety of optical accessories are available to achieve different lighting effects.



RECESSED TRIMLESS 15° | 2700K

LAMPING

Source	LED
Total power	10W
Emission	direct adjustable 15°
Switching	according to driver
Tension	max 270mA
Color temperature	2700K
Luminous flux	640lm
Initial luminaire efficacy	64lm/W
Initial chromaticity	SDCM<3
Typ CRI	90
Energy class	F
IP class	20
Dimensions	ø7,1x9,5cm
Ambient temperature range	0°C / +35°C
Performance ambient temperature	25°C
Notes	driver and ring not included, orientable spot, trimless recessed hole Ø 77mm, depth 150mm, trim recessed hole Ø 75mm, cable length 0,4m

Accessories
Net lamp weight

Drivers, Salina | Ring,
0,27 kg

Codes

SAL LW2 61

Structure

white

PACKAGE

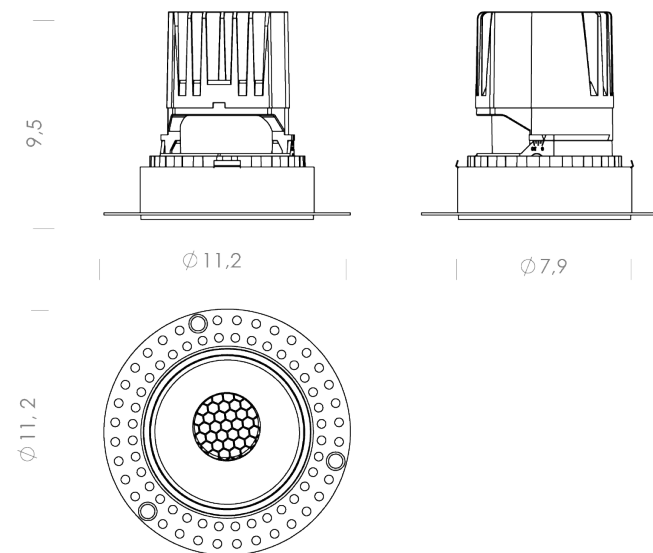
Package 01

Dimension: 46x42x22 cm / Gross weight: 0,31 kg

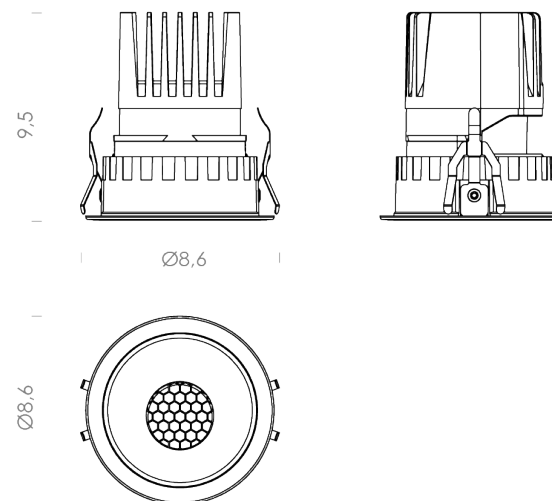
Certificazioni



SALINA TRIMLESS



SALINA TRIM



RECESSED TRIMLESS 15° | 3000K

LAMPING

Source	LED
Total power	10W
Emission	direct adjustable 15°
Switching	according to driver
Tension	max 270mA
Color temperature	2700K
Luminous flux	740lm
Initial luminaire efficacy	74lm/W
Initial chromaticity	SDCM<3
Typ CRI	90
Energy class	F
IP class	20
Dimensions	ø7,1x9,5cm
Ambient temperature range	0°C / +35°C
Performance ambient temperature	25°C
Notes	driver and ring not included, orientable spot, trimless recessed hole Ø 77mm, depth 150mm, trim recessed hole Ø 75mm, cable length 0,4m

Accessories
Net lamp weight

Structure
white

Codes
SAL LW3 61

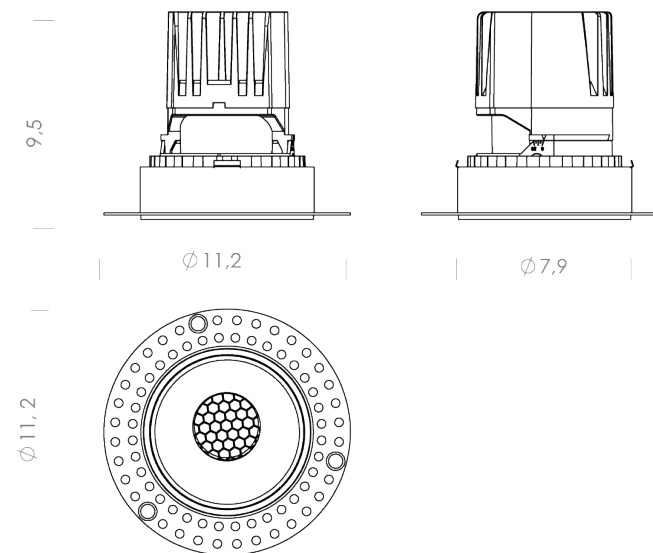
PACKAGE
Package 01

Dimension: 46x42x22 cm / Gross weight: 0,31 kg

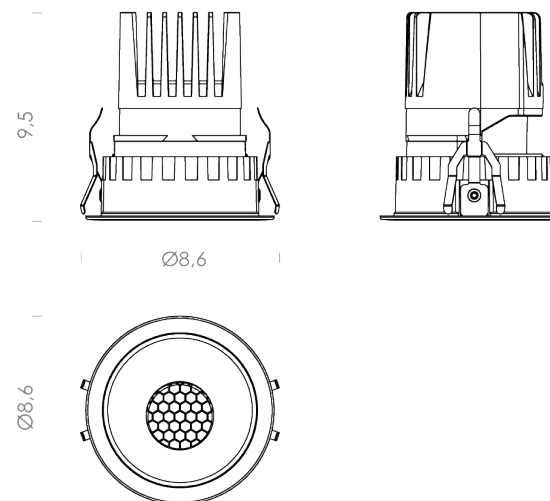
Certificazioni



SALINA TRIMLESS



SALINA TRIM



RECESSED TRIMLESS 35° | 3000K

LAMPING

Source	LED
Total power	10W
Emission	direct adjustable 35°
Switching	according to driver
Tension	max 270mA
Color temperature	3000K
Luminous flux	770lm
Initial luminaire efficacy	77lm/W
Initial chromaticity	SDCM<3
Typ CRI	90
Energy class	F
IP class	20
Dimensions	ø7,1x9,5cm
Ambient temperature range	0°C / +35°C
Performance ambient temperature	25°C
Notes	driver and ring not included, orientable spot, trimless recessed hole Ø 77mm, depth 150mm, trim recessed hole Ø 75mm, cable length 0,4m

Accessories
Net lamp weight

Drivers, Salina | Ring,
0,27 kg

Codes

SAL LW3 63

Structure

white

PACKAGE

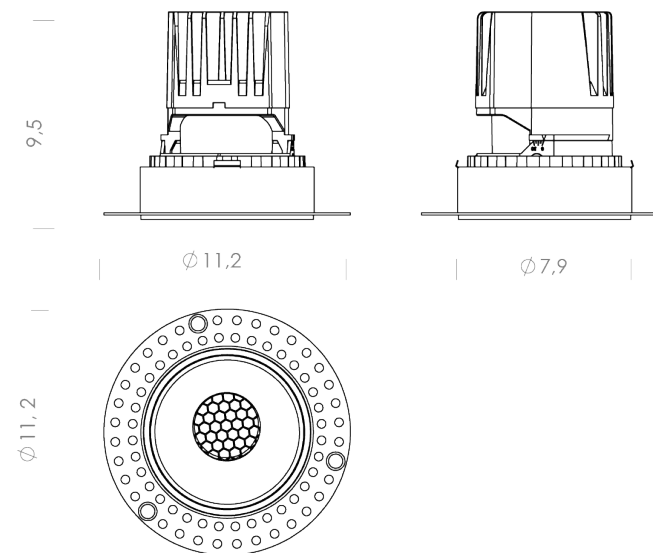
Package 01

Dimension: 46x42x22 cm / Gross weight: 0,31 kg

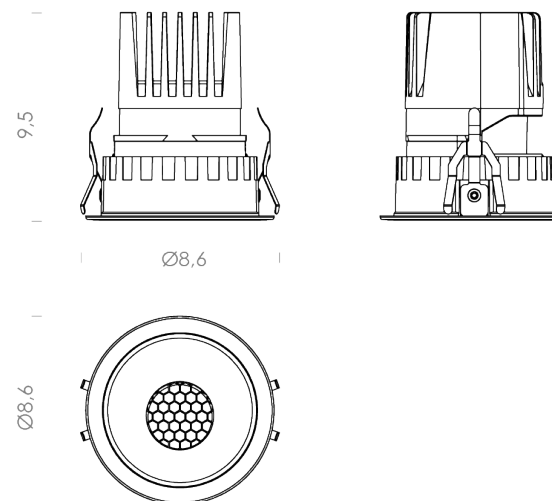
Certificazioni



SALINA TRIMLESS



SALINA TRIM



RECESSED TRIMLESS 35° | 2700K

LAMPING

Source	LED
Total power	10W
Emission	direct adjustable 35°
Switching	according to driver
Tension	max 270mA
Color temperature	2700K
Luminous flux	670lm
Initial luminaire efficacy	67lm/W
Initial chromaticity	SDCM<3
Typ CRI	90
Energy class	F
IP class	20
Dimensions	ø7,1x9,5cm
Ambient temperature range	0°C / +35°C
Performance ambient temperature	25°C
Notes	driver and ring not included, orientable spot, trimless recessed hole Ø 77mm, depth 150mm, trim recessed hole Ø 75mm, cable length 0,4m

Accessories
Net lamp weight

Drivers, Salina | Ring,
0,27 kg

Codes

SAL LW2 63

Structure

white

PACKAGE

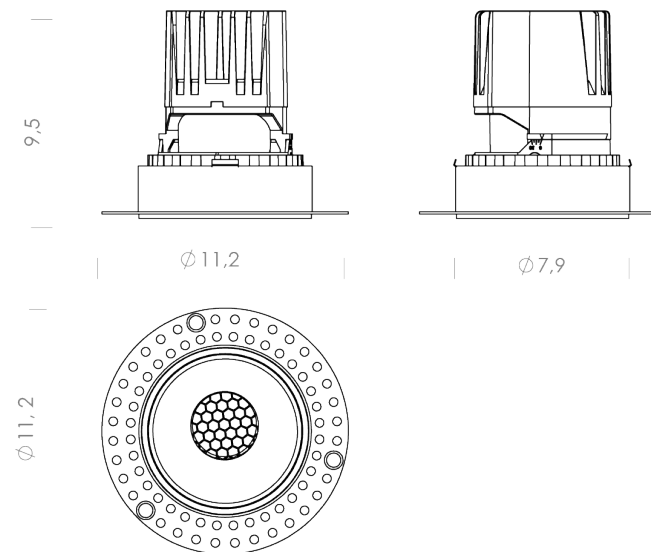
Package 01

Dimension: 46x42x22 cm / Gross weight: 0,31 kg

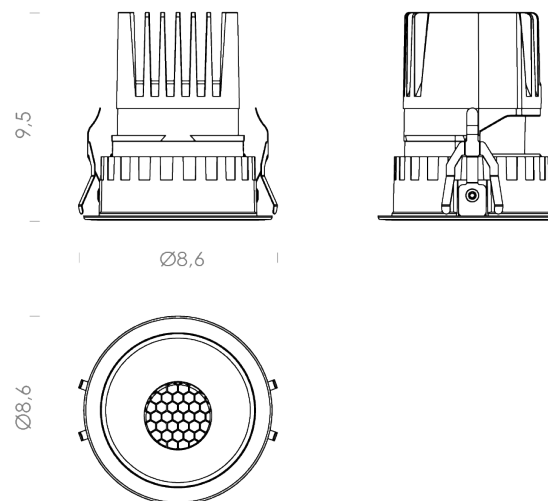
Certificazioni



SALINA TRIMLESS



SALINA TRIM



RECESSED TRIM 15° | 2700K

LAMPING

Source	LED
Total power	10W
Emission	direct adjustable 15°
Switching	according to driver
Tension	max 270mA
Color temperature	2700K
Luminous flux	700lm
Initial luminaire efficacy	70lm/W
Initial chromaticity	SDCM<3
Typ CRI	90
Energy class	F
IP class	20
Dimensions	ø7,1x9,5cm
Ambient temperature range	0°C / +35°C
Performance ambient temperature	25°C
Notes	driver and ring not included, orientable spot, trimless recessed hole Ø 77mm, depth 150mm, trim recessed hole Ø 75mm, cable length 0,4m

Accessories
Net lamp weight

Drivers, Salina | Ring,
0,31 kg

Codes

SAT LW2 61
SAT LN2 61

Structure

white
black

PACKAGE

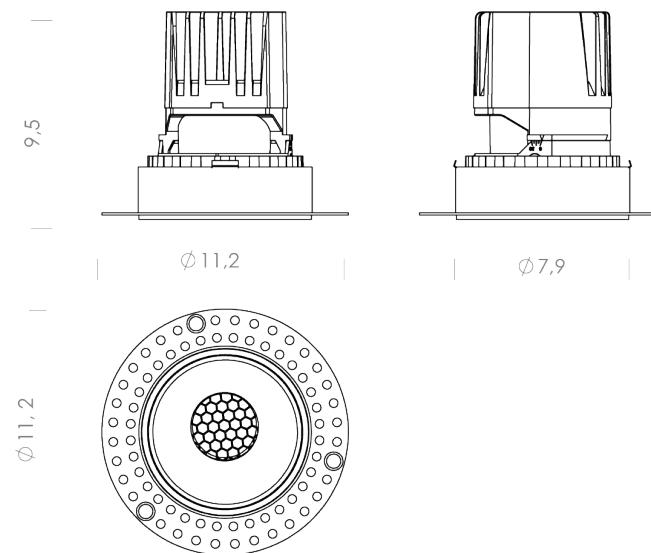
Package 01

Dimension: 46x42x22 cm / Gross weight: 0,34 kg

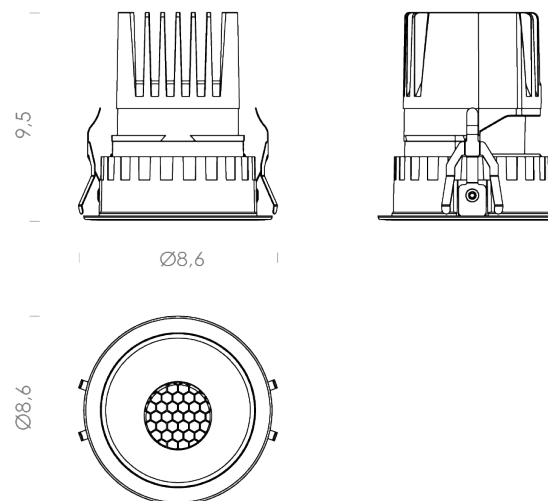
Certificazioni



SALINA TRIMLESS



SALINA TRIM



RECESSED TRIM 15° | 3000K

LAMPING

Source	LED
Total power	10W
Emission	direct adjustable 15°
Switching	according to driver
Tension	max270mA
Color temperature	3000K
Luminous flux	740lm
Initial luminaire efficacy	74lm/W
Initial chromaticity	SDCM<3
Typ CRI	90
Energy class	F
IP class	20
Dimensions	ø9x9,5cm
Ambient temperature range	0°C / +35°C
Performance ambient temperature	25°C
Notes	driver and ring not included, orientable spot, trimless recessed hole Ø 77mm, depth 150mm, trim recessed hole Ø 75mm, cable length 0,4m

Accessories
Net lamp weight

Drivers, Salina | Ring,
0,31 kg

Codes

SAT LW3 61
SAT LN3 61

Structure

white
black

PACKAGE

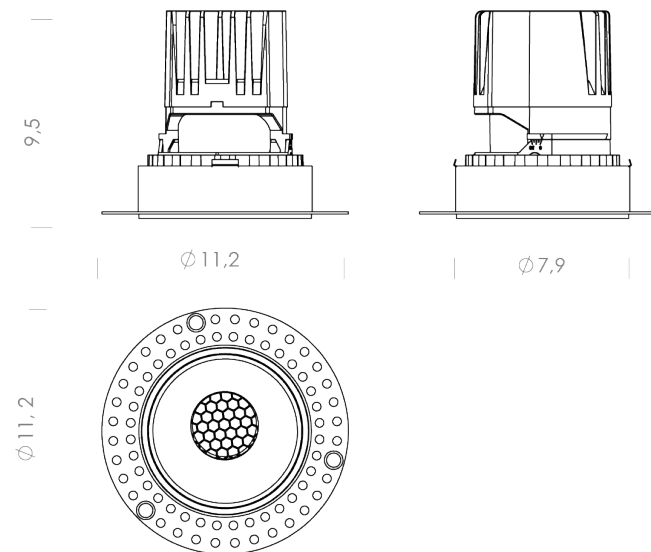
Package 01

Dimension: 46x42x22 cm / Gross weight: 0,34 kg

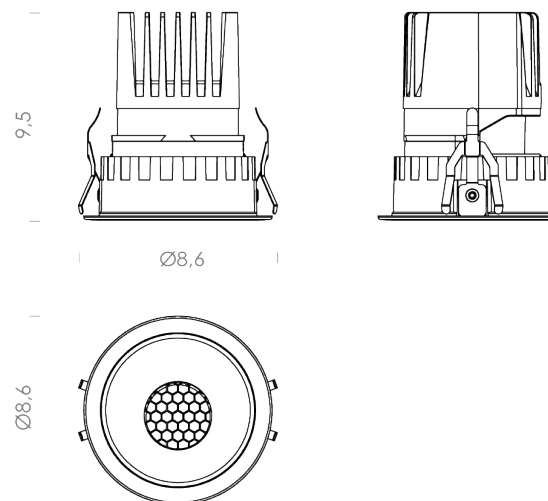
Certificazioni



SALINA TRIMLESS



SALINA TRIM



RECESSED TRIM 35° | 3000K

LAMPING

Source	LED
Total power	10W
Emission	direct adjustable 35°
Switching	according to driver
Tension	max 270mA
Color temperature	3000K
Luminous flux	770lm
Initial luminaire efficacy	77lm/W
Initial chromaticity	SDCM<3
Typ CRI	90
Energy class	F
IP class	20
Dimensions	ø9x9,5cm
Ambient temperature range	0°C / +35°C
Performance ambient temperature	25°C
Notes	driver and ring not included, orientable spot, trimless recessed hole Ø 77mm, depth 150mm, trim recessed hole Ø 75mm, cable length 0,4m

Accessories
Net lamp weight

Drivers, Salina | Ring,
0,31 kg

Codes

SAT LW3 63
SAT LN3 63

Structure

white
black

PACKAGE

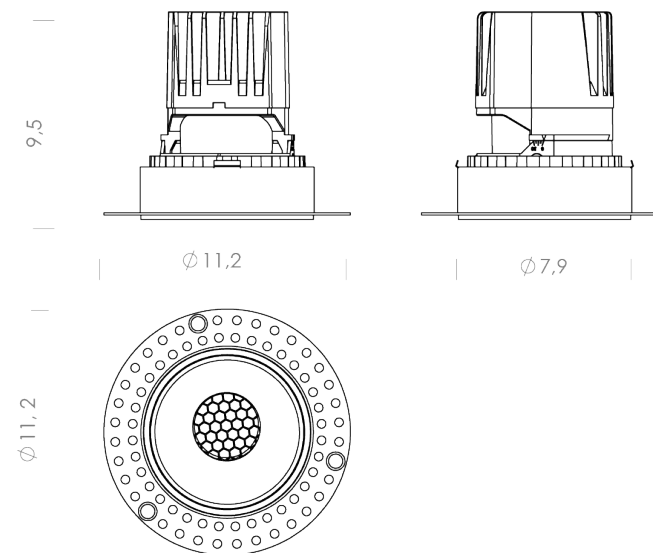
Package 01

Dimension: 46x42x22 cm / Gross weight: 0,34 kg

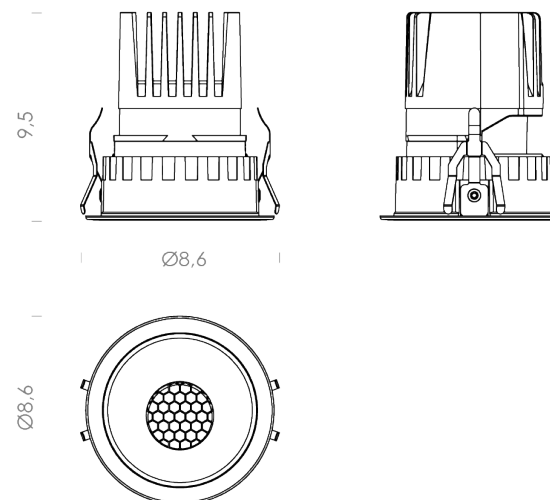
Certificazioni



SALINA TRIMLESS



SALINA TRIM



RECESSED TRIM 35° | 2700K

LAMPING

Source	LED
Total power	10W
Emission	direct adjustable 35°
Switching	according to driver
Tension	max 270mA
Color temperature	2700K
Luminous flux	670lm
Initial luminaire efficacy	67lm/W
Initial chromaticity	SDCM<3
Typ CRI	90
Energy class	F
IP class	20
Dimensions	ø9x9,5cm
Ambient temperature range	0°C / +35°C
Performance ambient temperature	25°C
Notes	driver and ring not included, orientable spot, trimless recessed hole Ø 77mm, depth 150mm, trim recessed hole Ø 75mm, cable length 0,4m

Accessories
Net lamp weight

Drivers, Salina | Ring,
0,31 kg

Codes

SAT LW2 63
SAT LN2 63

Structure

white
black

PACKAGE

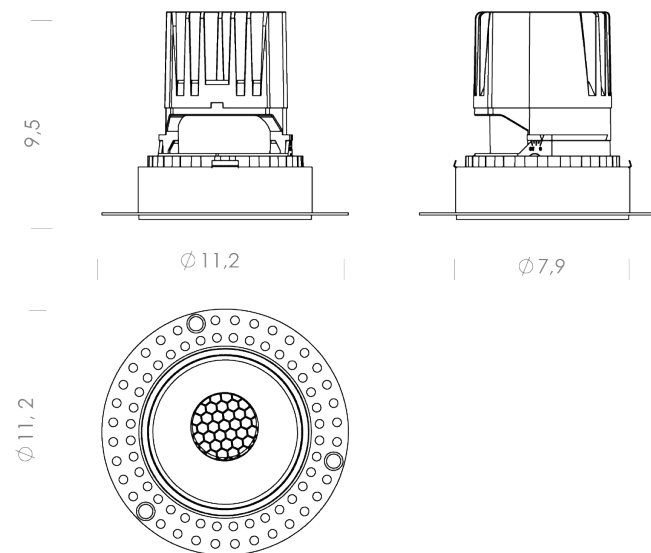
Package 01

Dimension: 46x42x22 cm / Gross weight: 0,34 kg

Certificazioni



SALINA TRIMLESS



SALINA TRIM

