

LUX W-S

LUX W is a spots collection suitable for accent and decorative lighting of façades. Spots are made from anodized aluminium in either natural grey or black finish.

Available with single and double light emission and in various colour temperatures and optic beams. The body is rotatable during installation and allows the adjustment of the light to adhere to specific project needs.

The product features a color rendering index higher than 90 and an onboard driver.



3000K | 17°

LAMPING

Source	LED
Total power	4.2W
Emission	single direct
Switching	ON/OFF
Tension	220/240V
Color temperature	3000K
Luminous flux	366lm
Initial luminaire efficacy	90lm/W
Initial chromaticity	SDCM<3
Typ CRI	90
IP class	65
Dimensions	9.6xØ7.25x9.9
Materials	anodized aluminum
Ambient temperature range	-20°C/35°C
Performance ambient temperature	25°C
Notes	driver included
Customization options	CCT 2700K
Net lamp weight	0.49 kg

Codes

BLUW4101N21WAA
BLUW4101N21WAN

Structure

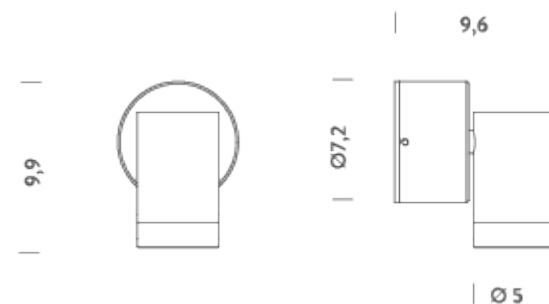
grey
black

PACKAGE

Package 01

Dimension: 14,5x10x9,5 cm / Gross weight: 0,54 kg

Certificazioni



3000K | 46°

LAMPING

Source	LED
Total power	4.2W
Emission	single direct
Switching	ON/OFF
Tension	220/240V
Color temperature	3000K
Luminous flux	372lm
Initial luminaire efficacy	90lm/W
Initial chromaticity	SDCM<3
Typ CRI	90
IP class	65
Dimensions	9.6xØ7.25x9.9
Materials	anodized aluminum
Ambient temperature range	-20°C/35°C
Performance ambient temperature	25°C
Notes	driver included
Customization options	CCT 2700K
Net lamp weight	0.49 kg

Codes

BLUW4101F21WAA
BLUW4101F21WAN

Structure

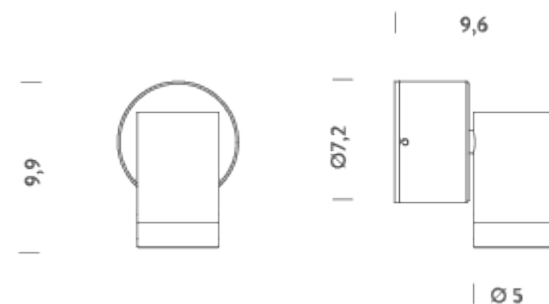
grey
black

PACKAGE

Package 01

Dimension: 14,5x10x9,5 cm / Gross weight: 0,54 kg

Certificazioni



4000K | 17°

LAMPING

Source	LED
Total power	4.2W
Emission	single direct
Switching	ON/OFF
Tension	220/240V
Color temperature	4000K
Luminous flux	366lm
Initial luminaire efficacy	90lm/W
Initial chromaticity	SDCM<3
Typ CRI	90
IP class	65
Dimensions	9.6xØ7.25x9.9
Materials	anodized aluminum
Ambient temperature range	-20°C/35°C
Performance ambient temperature	25°C
Notes	driver included
Customization options	CCT 2700K
Net lamp weight	0.49 kg

Codes

BLUW4101N21NAA
BLUW4101N21NAN

Structure

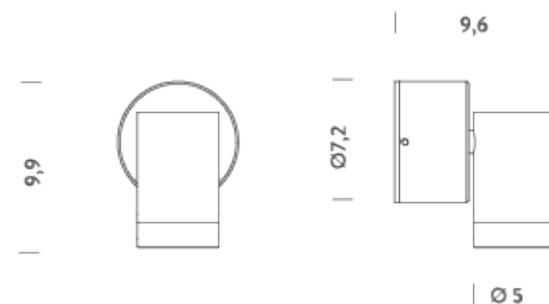
grey
black

PACKAGE

Package 01

Dimension: 14,5x10x9,5 cm / Gross weight: 0,54 kg

Certificazioni



4000K | 46°

LAMPING

Source	LED
Total power	4.2W
Emission	single direct
Switching	ON/OFF
Tension	220/240V
Color temperature	4000K
Luminous flux	372lm
Initial luminaire efficacy	90lm/W
Initial chromaticity	SDCM<3
Typ CRI	90
IP class	65
Dimensions	9.6xØ7.25x9.9
Materials	anodized aluminum
Ambient temperature range	-20°C/35°C
Performance ambient temperature	25°C
Notes	driver included
Customization options	CCT 2700K
Net lamp weight	0.49 kg

Codes

BLUW4101F21NAA
BLUW4101F21NAN

Structure

grey
black

PACKAGE

Package 01

Dimension: 14,5x10x9,5 cm / Gross weight: 0,54 kg

Certificazioni

