

# ELBA CEILING

Family of indoor spotlights for accent lighting.

The luminaire is rotatable by 90° vertically and 355° horizontally to allow the free orientation of the light in any direction.

The heat dissipation structure and built-in driver are combined in an integrated design with a compact and minimal aesthetic.

The light beam angle is adjustable to meet any lighting requirement.



## DIMMABLE TRIAC | 2700K

### LAMPING

Source	1x LED COB
Total power	13W
Emission	direct adjustable 15°-55°
Switching	dimnable TRIAC
Tension	220/240V
Color temperature	2700K
Luminous flux	830lm
Initial luminaire efficacy	64lm/W
Initial chromaticity	SDCM<3
Typ CRI	90
IP class	20
Dimensions	ø5,6x18cm
Materials	aluminum
Ambient temperature range	0°C / +35°C
Performance ambient temperature	25°C
Mechanical impact protection code	IK02
Notes	driver on board, adjustable beam 15°-55°, rotating body 355°, orientable spot 90°
Net lamp weight	0,5 kg

### Codes

ELB LW2 41  
ELB LN2 41

### Structure

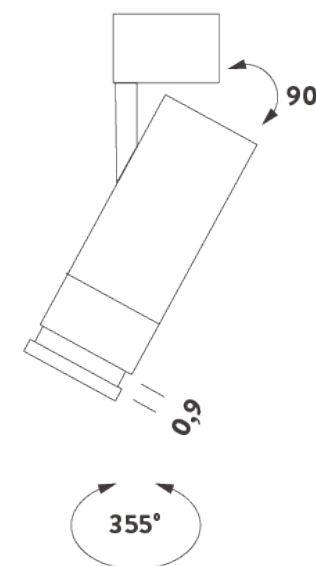
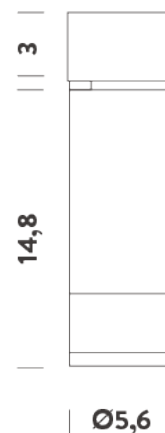
white  
black

### PACKAGE

Package 01

Dimension: 21x19x6 cm / Gross weight: 0,7 kg

### Certificazioni



## DIMMABLE TRIAC | 3000K

### LAMPING

Source	1x LED COB
Total power	13W
Emission	direct adjustable 15°-55°
Switching	dimnable TRIAC
Tension	220/240V
Color temperature	3000K
Luminous flux	900lm
Initial luminaire efficacy	69lm/W
Initial chromaticity	SDCM<3
Typ CRI	90
IP class	20
Dimensions	ø5,6x18cm
Materials	aluminum
Ambient temperature range	0°C / +35°C
Performance ambient temperature	25°C
Mechanical impact protection code	IK02
Notes	driver on board, adjustable beam 15°-55°, rotating body 355°, orientable spot 90°
Net lamp weight	0,5 kg

### Codes

ELB LW3 41  
ELB LN3 41

### Structure

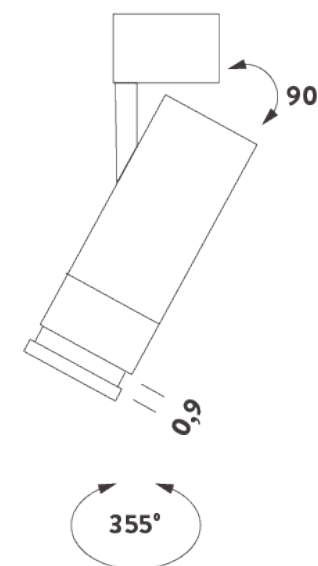
white  
black

### PACKAGE

Package 01

Dimension: 21x19x6 cm / Gross weight: 0,7 kg

### Certificazioni



## DIMMABLE 0-10V | 2700K

### LAMPING

Source	1x LED COB
Total power	13W
Emission	direct adjustable 15°-55°
Switching	dimmable 0-10V
Tension	220/240V
Color temperature	2700K
Luminous flux	830lm
Initial luminaire efficacy	64lm/W
Initial chromaticity	SDCM<3
Typ CRI	90
IP class	20
Dimensions	ø5,6x18cm
Materials	aluminum
Ambient temperature range	0°C / +35°C
Performance ambient temperature	25°C
Mechanical impact protection code	IK02
Notes	driver on board, adjustable beam 15°-55°, rotating body 355°, orientable spot 90°
Net lamp weight	0,5 kg

### Codes

ELB LW2 42  
ELB LN2 42

### Structure

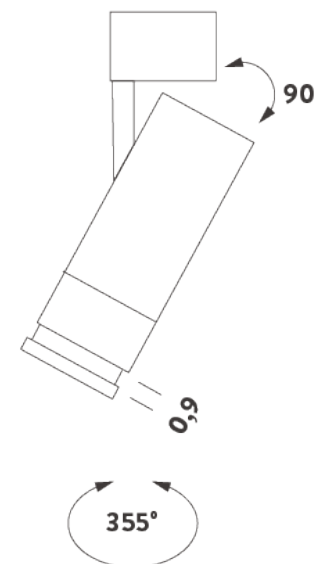
white  
black

### PACKAGE

Package 01

Dimension: 21x19x6 cm / Gross weight: 0,7 kg

### Certificazioni



## DIMMABLE 0-10V | 3000K

### LAMPING

Source	1x LED COB
Total power	13W
Emission	direct adjustable 15°-55°
Switching	dimmable 0-10V
Tension	220/240V
Color temperature	3000K
Luminous flux	900lm
Initial luminaire efficacy	69lm/W
Initial chromaticity	SDCM<3
Typ CRI	90
IP class	20
Dimensions	ø5,6x18cm
Materials	aluminum
Ambient temperature range	0°C / +35°C
Performance ambient temperature	25°C
Mechanical impact protection code	IK02
Notes	driver on board, adjustable beam 15°-55°, rotating body 355°, orientable spot 90°
Net lamp weight	0,5 kg

### Codes

ELB LW3 42  
ELB LN3 42

### Structure

white  
black

### PACKAGE

Package 01

Dimension: 21x19x6 cm / Gross weight: 0,7 kg

### Certificazioni

