

ZIRKOL CIRCLE WALL

Suitable for indirect and decorative lighting, Zirkol Wall is the new piece of the collection, with circular shape and wall fixing. Available with black finish and three different LED colour temperatures: 2700K, 3000K or 4000K. The length of the included rods allow the creation of different compositions with several lamps, for personalized ambient lighting.



Ø 1M | 2700K

LAMPING

Source	LED strip
Total power	45W
Emission	indirect diffused
Switching	DALI
Tension	24V
Color temperature	2700K
Luminous flux	2616lm
Initial luminaire efficacy	58lm/W
Initial chromaticity	SDCM<3
Typ CRI	90
Energy class	E
IP class	40
Dimensions	Ø100x5cm
Materials	aluminium
Ambient temperature range	0°C / +35°C
Performance ambient temperature	25°C
Notes	

included: 1 x driver 60W (110/240V) | 1 x dimmer DALI | 3 x tige 5 cm | 3 x tige 11 cm | 1 x electrical cable 50cm | remote driver | RAL 9005 black | shipped assembled | indirect light emission

Customization options

external electrical cable | light configurations, separate light control, control systems

Net lamp weight

4 kg

Codes

BZRC4210G15DNE

Structure

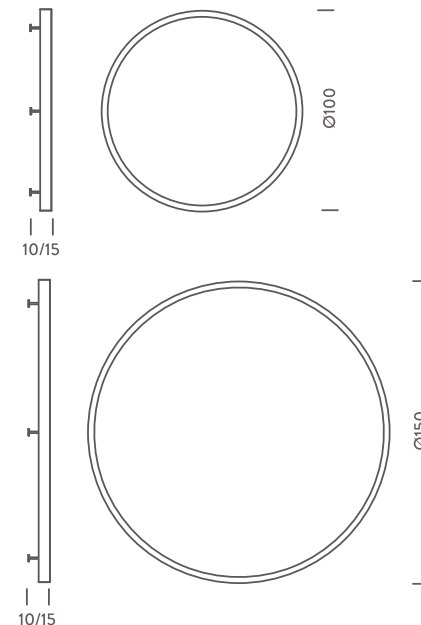
black

PACKAGE

Package 01

Dimension: 110x110x15 cm / Gross weight: 6,5 kg

Certificazioni



Ø 1M | 3000K

LAMPING

Source	LED strip
Total power	45W
Emission	indirect diffused
Switching	DALI
Tension	24V
Color temperature	3000K
Luminous flux	2769lm
Initial luminaire efficacy	62lm/W
Initial chromaticity	SDCM<3
Typ CRI	90
Energy class	E
IP class	40
Dimensions	Ø100x5cm
Materials	aluminium
Ambient temperature range	0°C / +35°C
Performance ambient temperature	25°C
Notes	

included: 1 x driver 60W (110/240V) | 1 x dimmer DALI | 3 x tige 5 cm | 3 x tige 11 cm | 1 x electrical cable 50cm | remote driver | RAL 9005 black | shipped assembled | indirect light emission

Customization options

external electrical cable | light configurations, separate light control, control systems

Net lamp weight

4 kg

Codes

BZRC4210G15WNE

Structure

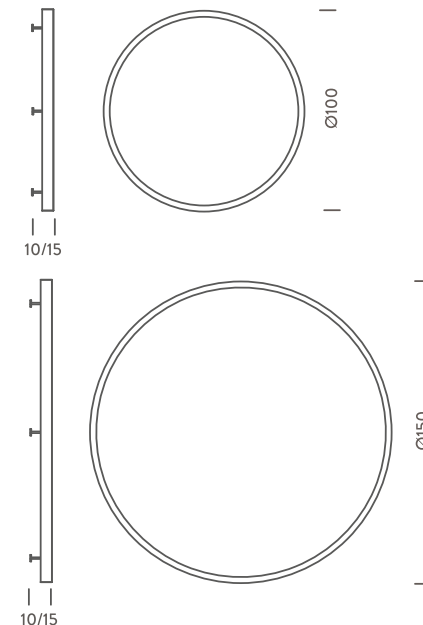
black

PACKAGE

Package 01

Dimension: 110x110x15 cm / Gross weight: 6,5 kg

Certificazioni



Ø 1M | 4000K

LAMPING

Source	LED strip
Total power	45W
Emission	indirect diffused
Switching	DALI
Tension	24V
Color temperature	4000K
Luminous flux	3077lm
Initial luminaire efficacy	68lm/W
Initial chromaticity	SDCM<3
Typ CRI	90
Energy class	D
IP class	40
Dimensions	Ø100x5cm
Materials	aluminum
Ambient temperature range	0°C / +35°C
Performance ambient temperature	25°C
Notes	

included: 1 x driver 60W (110/240V) | 1 x dimmer DALI | 3 x tige 5 cm | 3 x tige 11 cm | 1 x electrical cable 50cm | remote driver | RAL 9005 black | shipped assembled | indirect light emission

Customization options

external electrical cable | light configurations, separate light control, control systems

Net lamp weight

4 kg

Codes

BZRC4210G15NNE

Structure

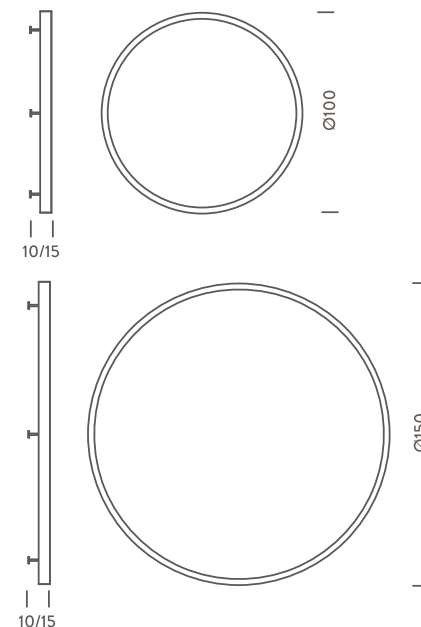
black

PACKAGE

Package 01

Dimension: 110x110x15 cm / Gross weight: 6,5 kg

Certificazioni



Ø 1,5M | 2700K

LAMPING

Source	LED strip
Total power	68W
Emission	indirect diffused
Switching	DALI
Tension	24V
Color temperature	2700K
Luminous flux	3923lm
Initial luminaire efficacy	57lm/W
Initial chromaticity	SDCM<3
Typ CRI	90
Energy class	E
IP class	40
Dimensions	Ø150x5cm
Materials	aluminum
Ambient temperature range	0°C / +35°C
Performance ambient temperature	25°C
Notes	

included: 1 x driver 75W (110/240V) | 1 x dimmer DALI | 3 x tige 5 cm | 3 x tige 11 cm | 1 x electrical cable 50cm | remote driver | RAL 9005 black | shipped assembled | indirect light emission

Customization options

external electrical cable | light configurations, separate light control, control systems

Net lamp weight

4 kg

Codes

BZRC4215G15DNE

Structure

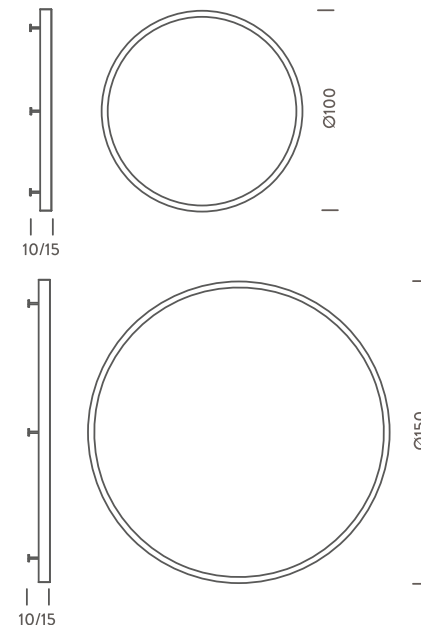
black

PACKAGE

Package 01

Dimension: 160x160x15 cm / Gross weight: 6,5 kg

Certificazioni



Ø 1,5M | 3000K

LAMPING

Source	LED strip
Total power	68W
Emission	indirect diffused
Switching	DALI
Tension	24V
Color temperature	3000K
Luminous flux	4154lm
Initial luminaire efficacy	61lm/W
Initial chromaticity	SDCM<3
Typ CRI	90
Energy class	E
IP class	40
Dimensions	Ø150x5cm
Materials	aluminum
Ambient temperature range	0°C / +35°C
Performance ambient temperature	25°C
Notes	

included: 1 x driver 75W (110/240V) | 1 x dimmer DALI | 3 x tige 5 cm | 3 x tige 11 cm | 1 x electrical cable 50cm | remote driver | RAL 9005 black | shipped assembled | indirect light emission

Customization options

external electrical cable | light configurations, separate light control, control systems

Net lamp weight

4 kg

Codes

BZRC4215G15WNE

Structure

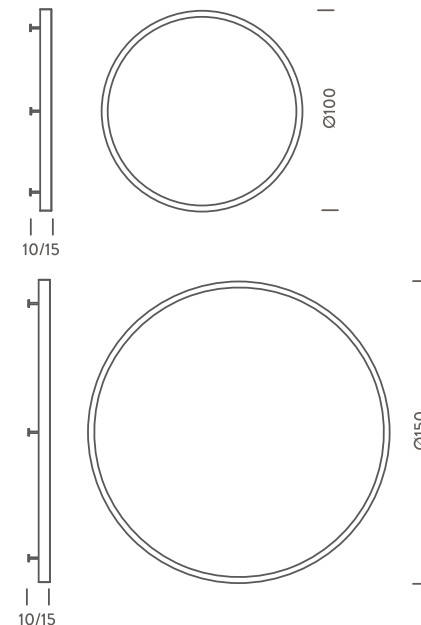
black

PACKAGE

Package 01

Dimension: 160x160x15 cm / Gross weight: 6,5 kg

Certificazioni



Ø 1,5M | 4000K

LAMPING

Source	LED strip
Total power	68W
Emission	indirect diffused
Switching	DALI
Tension	24V
Color temperature	4000K
Luminous flux	4616lm
Initial luminaire efficacy	68lm/W
Initial chromaticity	SDCM<3
Typ CRI	90
Energy class	D
IP class	40
Dimensions	Ø150x5cm
Materials	aluminum
Ambient temperature range	0°C / +35°C
Performance ambient temperature	25°C
Notes	

included: 1 x driver 75W (110/240V) | 1 x dimmer DALI | 3 x tige 5 cm | 3 x tige 11 cm | 1 x electrical cable 50cm | remote driver | RAL 9005 black | shipped assembled | indirect light emission

Customization options

external electrical cable | light configurations, separate light control, control systems

Net lamp weight

4 kg

Codes

BZRC4215G15NNE

Structure

black

PACKAGE

Package 01

Dimension: 160x160x15 cm / Gross weight: 6,5 kg

Certificazioni

