

SALINA

Famiglia di faretti da incasso downlight per illuminazione d'accento in interni. L'apparecchio può essere ruotato di 30° in verticale e ruotato di 355° a livello orizzontale, per orientare la luce in qualsiasi orientamento. La struttura modulare separa la lampada in più parti indipendenti. Gli anelli esterni con diverse finiture sono semplici da montare e possono essere facilmente sostituiti per soddisfare le diverse esigenze di apertura ed effetti estetici.

Salina è proposto con diverse ottiche accessorie, per soddisfare differenti necessità di illuminazione.



RECESSED TRIMLESS 15° | 2700K

LAMPING

Source	LED
Total power	10W
Emission	direct adjustable 15°
Switching	according to driver
Tension	max 270mA
Color temperature	2700K
Luminous flux	640lm
Initial luminaire efficacy	64lm/W
Initial chromaticity	SDCM<3
Typ CRI	90
Energy class	F
IP class	20
Dimensions	ø7,1x9,5cm
Ambient temperature range	0°C / +35°C
Performance ambient temperature	25°C
Notes	driver and ring not included, orientable spot, trimless recessed hole Ø 77mm, depth 150mm, trim recessed hole Ø 75mm, cable length 0,4m

Accessories
Net lamp weight

Drivers, Salina | Ring,
0,27 kg

Codes

SAL LW2 61

Structure

white

PACKAGE

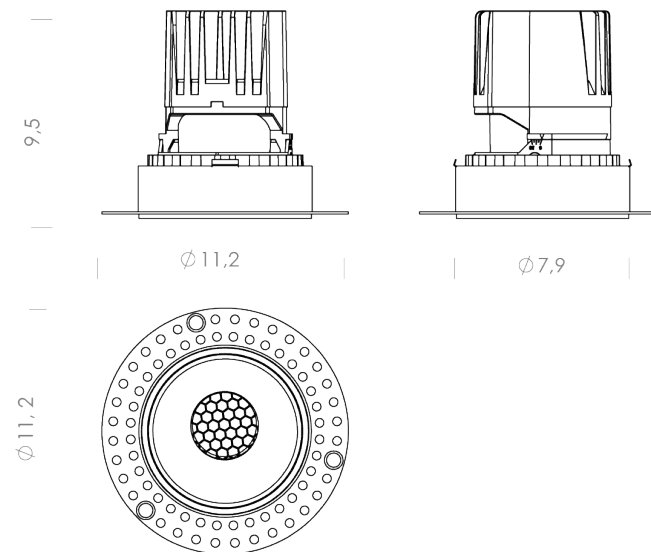
Package 01

Dimension: 46x42x22 cm / Gross weight: 0,31 kg

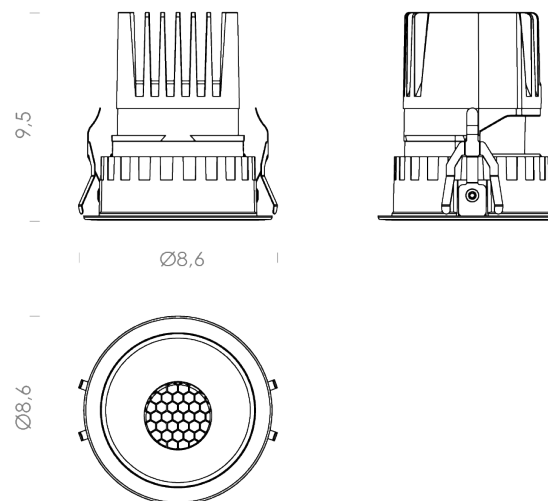
Certificazioni



SALINA TRIMLESS



SALINA TRIM



RECESSED TRIMLESS 15° | 3000K

LAMPING

Source	LED
Total power	10W
Emission	direct adjustable 15°
Switching	according to driver
Tension	max 270mA
Color temperature	2700K
Luminous flux	740lm
Initial luminaire efficacy	74lm/W
Initial chromaticity	SDCM<3
Typ CRI	90
Energy class	F
IP class	20
Dimensions	ø7,1x9,5cm
Ambient temperature range	0°C / +35°C
Performance ambient temperature	25°C
Notes	driver and ring not included, orientable spot, trimless recessed hole Ø 77mm, depth 150mm, trim recessed hole Ø 75mm, cable length 0,4m

Accessories
Net lamp weight

Drivers, Salina | Ring,
0,27 kg

Codes

SAL LW3 61

Structure

white

PACKAGE

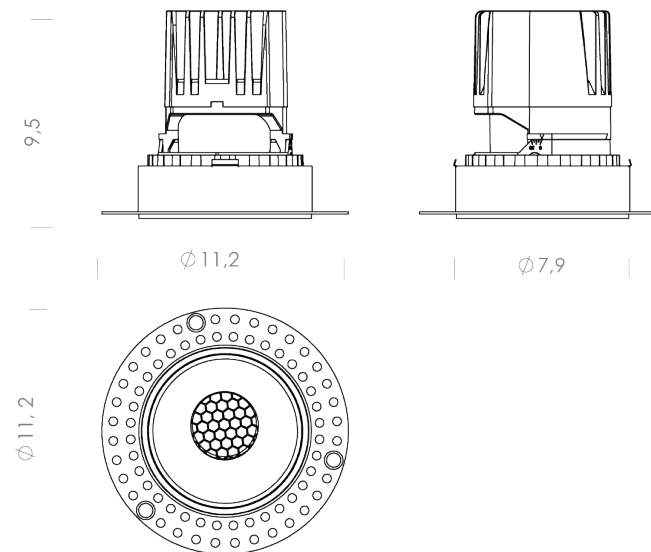
Package 01

Dimension: 46x42x22 cm / Gross weight: 0,31 kg

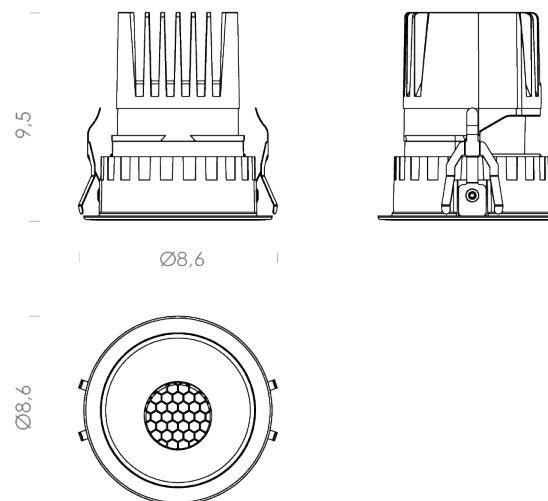
Certificazioni



SALINA TRIMLESS



SALINA TRIM



RECESSED TRIMLESS 35° | 3000K

LAMPING

Source	LED
Total power	10W
Emission	direct adjustable 35°
Switching	according to driver
Tension	max 270mA
Color temperature	3000K
Luminous flux	770lm
Initial luminaire efficacy	77lm/W
Initial chromaticity	SDCM<3
Typ CRI	90
Energy class	F
IP class	20
Dimensions	ø7,1x9,5cm
Ambient temperature range	0°C / +35°C
Performance ambient temperature	25°C
Notes	driver and ring not included, orientable spot, trimless recessed hole Ø 77mm, depth 150mm, trim recessed hole Ø 75mm, cable length 0,4m

Accessories
Net lamp weight

Drivers, Salina | Ring,
0,27 kg

Codes

SAL LW3 63

Structure

white

PACKAGE

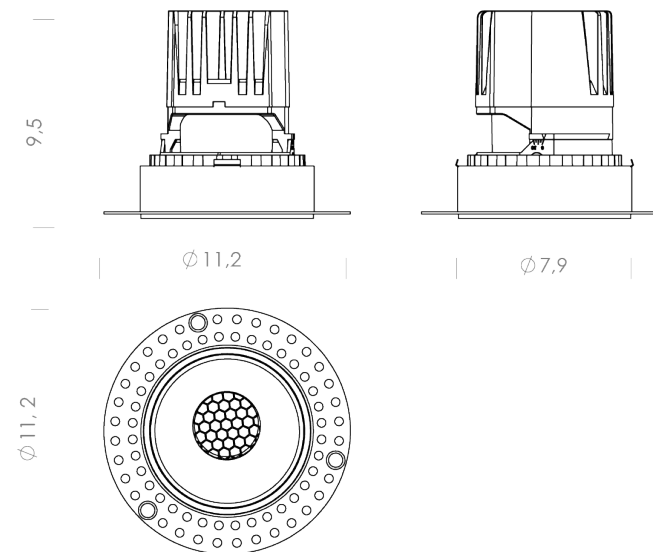
Package 01

Dimension: 46x42x22 cm / Gross weight: 0,31 kg

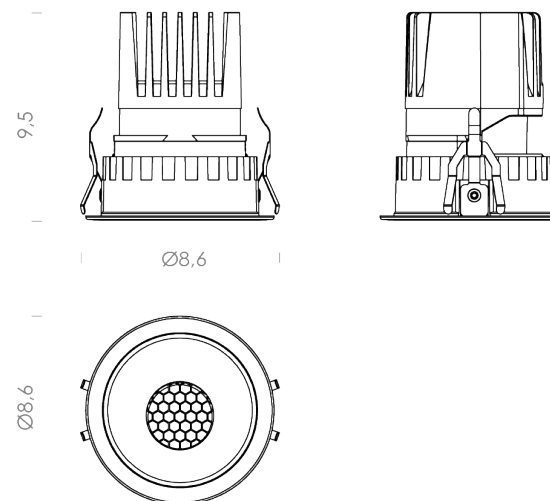
Certificazioni



SALINA TRIMLESS



SALINA TRIM



RECESSED TRIMLESS 35° | 2700K

LAMPING

Source	LED
Total power	10W
Emission	direct adjustable 35°
Switching	according to driver
Tension	max 270mA
Color temperature	2700K
Luminous flux	670lm
Initial luminaire efficacy	67lm/W
Initial chromaticity	SDCM<3
Typ CRI	90
Energy class	F
IP class	20
Dimensions	ø7,1x9,5cm
Ambient temperature range	0°C / +35°C
Performance ambient temperature	25°C
Notes	driver and ring not included, orientable spot, trimless recessed hole Ø 77mm, depth 150mm, trim recessed hole Ø 75mm, cable length 0,4m

Accessories
Net lamp weight

Drivers, Salina | Ring,
0,27 kg

Codes

SAL LW2 63

Structure

white

PACKAGE

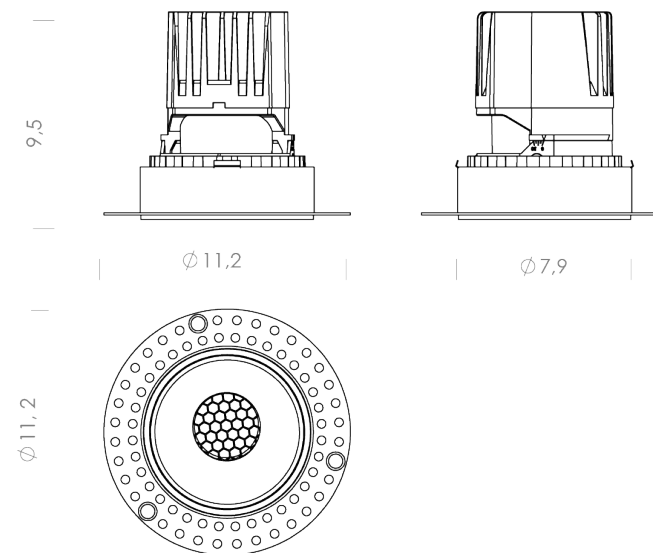
Package 01

Dimension: 46x42x22 cm / Gross weight: 0,31 kg

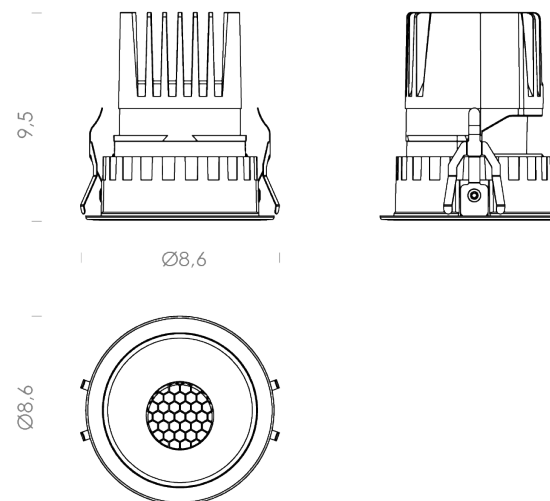
Certificazioni



SALINA TRIMLESS



SALINA TRIM



RECESSED TRIM 15° | 2700K

LAMPING

Source	LED
Total power	10W
Emission	direct adjustable 15°
Switching	according to driver
Tension	max 270mA
Color temperature	2700K
Luminous flux	700lm
Initial luminaire efficacy	70lm/W
Initial chromaticity	SDCM<3
Typ CRI	90
Energy class	F
IP class	20
Dimensions	ø7,1x9,5cm
Ambient temperature range	0°C / +35°C
Performance ambient temperature	25°C
Notes	driver and ring not included, orientable spot, trimless recessed hole Ø 77mm, depth 150mm, trim recessed hole Ø 75mm, cable length 0,4m

Accessories
Net lamp weight

Drivers, Salina | Ring,
0,31 kg

Codes

SAT LW2 61
SAT LN2 61

Structure

white
black

PACKAGE

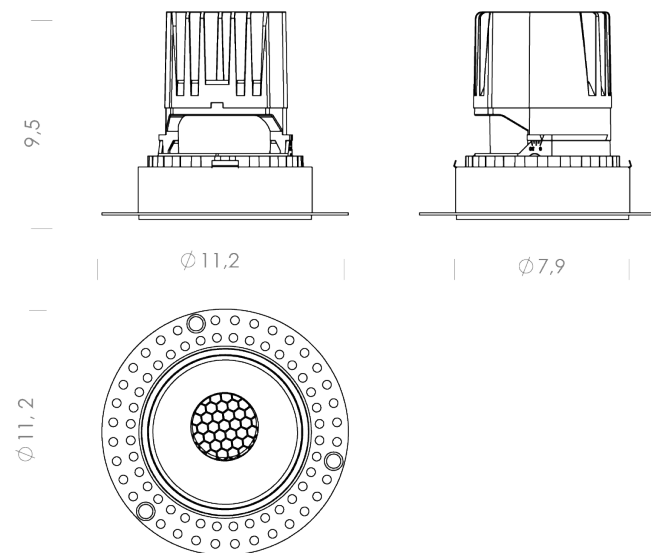
Package 01

Dimension: 46x42x22 cm / Gross weight: 0,34 kg

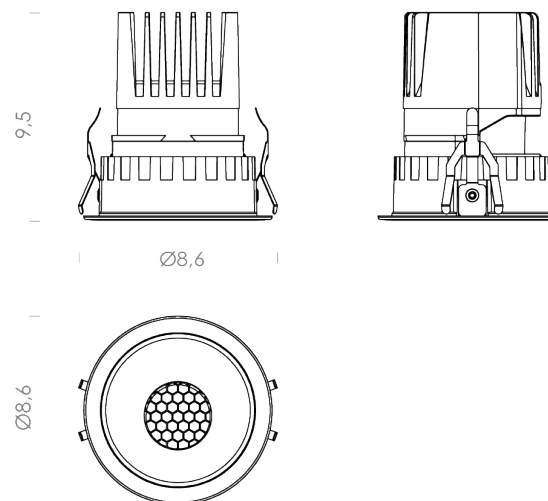
Certificazioni



SALINA TRIMLESS



SALINA TRIM



RECESSED TRIM 15° | 3000K

LAMPING

Source	LED
Total power	10W
Emission	direct adjustable 15°
Switching	according to driver
Tension	max270mA
Color temperature	3000K
Luminous flux	740lm
Initial luminaire efficacy	74lm/W
Initial chromaticity	SDCM<3
Typ CRI	90
Energy class	F
IP class	20
Dimensions	ø9x9,5cm
Ambient temperature range	0°C / +35°C
Performance ambient temperature	25°C
Notes	driver and ring not included, orientable spot, trimless recessed hole Ø 77mm, depth 150mm, trim recessed hole Ø 75mm, cable length 0,4m

Accessories
Net lamp weight

Drivers, Salina | Ring,
0,31 kg

Codes

SAT LW3 61
SAT LN3 61

Structure

white
black

PACKAGE

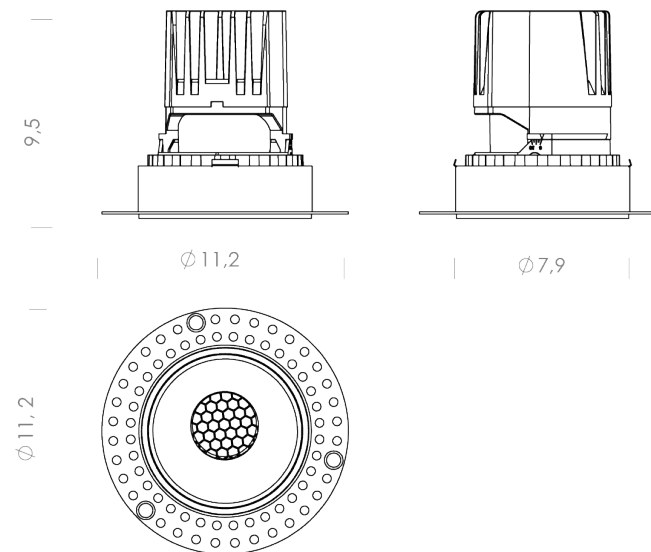
Package 01

Dimension: 46x42x22 cm / Gross weight: 0,34 kg

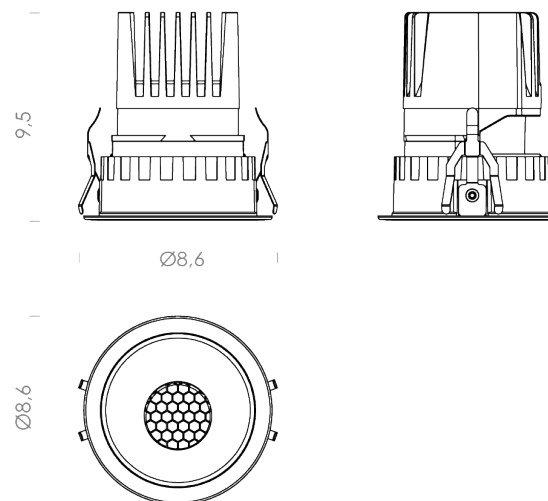
Certificazioni



SALINA TRIMLESS



SALINA TRIM



RECESSED TRIM 35° | 3000K

LAMPING

Source	LED
Total power	10W
Emission	direct adjustable 35°
Switching	according to driver
Tension	max 270mA
Color temperature	3000K
Luminous flux	770lm
Initial luminaire efficacy	77lm/W
Initial chromaticity	SDCM<3
Typ CRI	90
Energy class	F
IP class	20
Dimensions	ø9x9,5cm
Ambient temperature range	0°C / +35°C
Performance ambient temperature	25°C
Notes	driver and ring not included, orientable spot, trimless recessed hole Ø 77mm, depth 150mm, trim recessed hole Ø 75mm, cable length 0,4m

Accessories
Net lamp weight

Drivers, Salina | Ring,
0,31 kg

Codes

SAT LW3 63
SAT LN3 63

Structure

white
black

PACKAGE

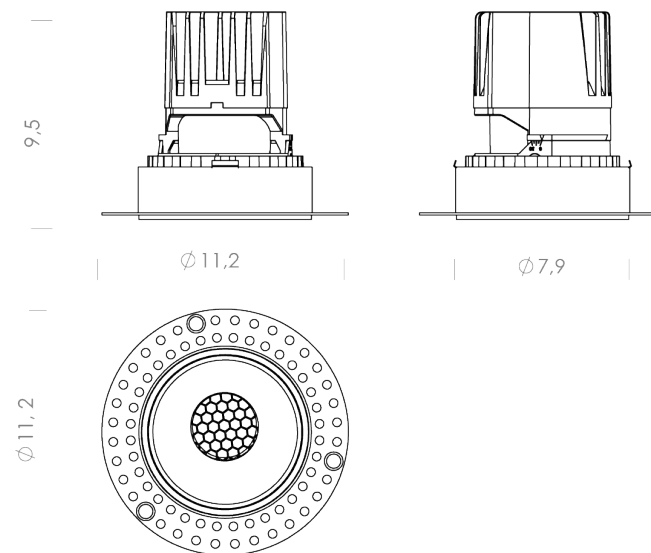
Package 01

Dimension: 46x42x22 cm / Gross weight: 0,34 kg

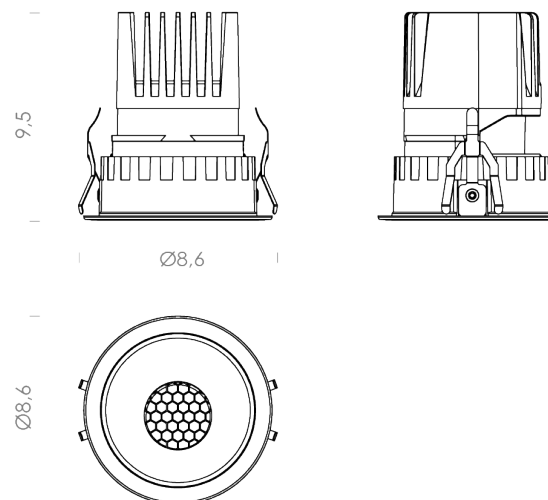
Certificazioni



SALINA TRIMLESS



SALINA TRIM



RECESSED TRIM 35° | 2700K

LAMPING

Source	LED
Total power	10W
Emission	direct adjustable 35°
Switching	according to driver
Tension	max 270mA
Color temperature	2700K
Luminous flux	670lm
Initial luminaire efficacy	67lm/W
Initial chromaticity	SDCM<3
Typ CRI	90
Energy class	F
IP class	20
Dimensions	ø9x9,5cm
Ambient temperature range	0°C / +35°C
Performance ambient temperature	25°C
Notes	driver and ring not included, orientable spot, trimless recessed hole Ø 77mm, depth 150mm, trim recessed hole Ø 75mm, cable length 0,4m

Accessories
Net lamp weight

Drivers, Salina | Ring,
0,31 kg

Codes

SAT LW2 63
SAT LN2 63

Structure

white
black

PACKAGE

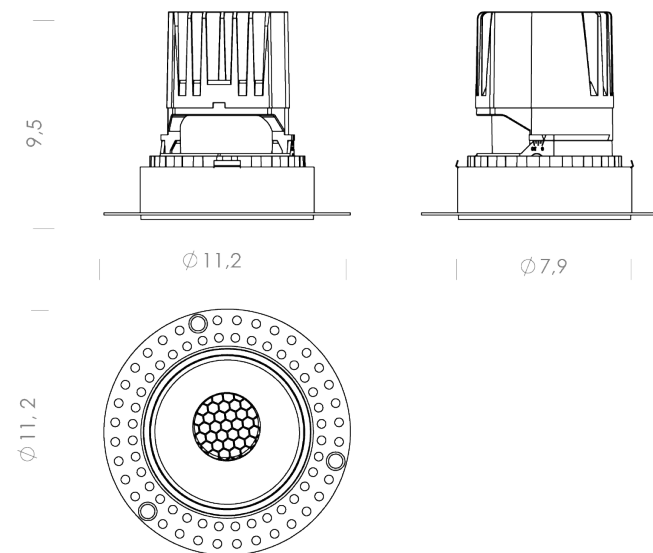
Package 01

Dimension: 46x42x22 cm / Gross weight: 0,34 kg

Certificazioni



SALINA TRIMLESS



SALINA TRIM

