

ILTI LUCE

BOLLARD and PROJECTORS outdoor

Poppy



Poppy si caratterizza per una sottile asta e uno spot di dimensioni ridotte. È disponibile in due altezze diverse e può essere orientato lateralmente fino a 325°. Emette una luce puntuale, con due opzioni di ottiche disponibili.

Poppy is characterized by a thin rod and a small spot. It is available in two different heights and can be oriented laterally up to 325°. It emits a punctual light, with two optics options available.

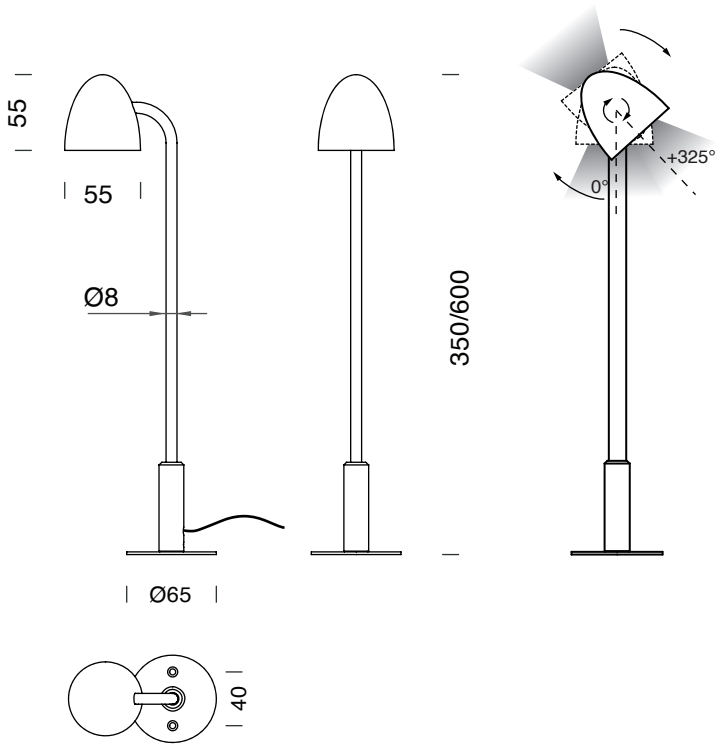
INFORMAZIONI GENERALI GENERAL INFORMATION	
Numero di sorgenti Number of light source	1
Tipo di ottica Optic type (beam angle)	12°/37°
Temperatura colore iniziale Initial Color Temperature	2700K/3000K
Indice di resa cromatica Color Rendering Index	>90
Tipo di ottica Optic type	lens
Trasformatore incluso Driver included	NO
Colore sorgente luminosa Light source color	white
Classe di protezione IEC IEC Protection class	III
Colore/finitura apparecchio Luminaire color/finish	Cetonia Green/ Pine Green/ Lucent Grey/ Ink Black
Montaggio Mounting	Floor
Connessione Connections	Cable Ø3,4mm
Cavo Cable	2m
Orientabile Adjustable	up to 325°
Dimensioni Dimensions	Ø55x350/Ø55X600mm
Peso netto (pezzo) Net weight (piece)	max 0,45Kg
FUNZIONAMENTO E PARTE ELETTRICA OPERATING AND ELECTRICAL	
Tensione/corrente di ingresso Input voltage/current	Max 700mA
Frequenza di ingresso Input frequency	/
CONTROLLI E REGOLAZIONE DEL FLUSSO CONTROL AND DIMMING	
Dimmerabile Dimmable	YES - According to driver
Controlli compatibili Compatible controls	1-10V/DALI/TRIAC

RENDIMENTO INIZIALE INITIAL PERFORMANCE	
Flusso luminoso reale Real luminous flux	169lm (3000K- 12°)
Tolleranza Flusso luminoso Luminous flux tolerance	+/- 10%
Efficienza iniziale apparecchio LED Initial LED luminaire efficacy	74lm/W
Cromaticità iniziale Initial chromaticity	SDCM<3
Potenza di ingresso iniziale Initial input power	max 2,3W
Tolleranza consumo energetico Power consumption tolerance	+/- 10%
BUG rating <small>*To be considered only when the luminaire is installed in a fixed position</small>	B0 U1 G0
CONDIZIONI DI APPLICAZIONE APPLICATION CONDITION	
Intervallo temperatura ambiente Ambient temperature range	-20/+50°C
Performance ambiente temperatura Performance ambient temperature	35°C
APPROVAZIONE E APPLICAZIONE APPROVAL AND APPLICATION	
Grado di protezione Ingress protection code	IP65
Codice protezione impatti meccanici Mechanical impact protection code	IK05
RENDIMENTO NEL TEMPO OVER TIME PERFORMANCE	
Mantenimento flusso luminoso vita media* 50000 h Lumen maintenance at median useful life* 50000 h	L80
REMARKS	
su richiesta: 2400K/altezza 150mm/versione fissa on request: 2400K/150mm height/fixed version	



**DISEGNO TECNICO
DIMENSIONAL DRAWINGS**

Dimensioni (mm)
Dimensions (mm)



**FINITURE STANDARD
STANDARD FINISHES**



Cetonia Green



Pine Green



Lucent Grove

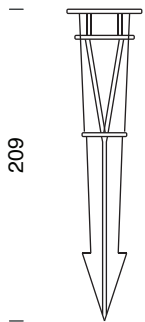


Ink Black

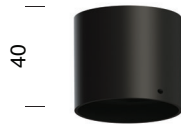
**ACCESSORI
ACCESSORIES**

(not included)

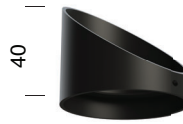
Dimensioni (mm)
Dimensions (mm)



BGREPEG21
(not included/external)



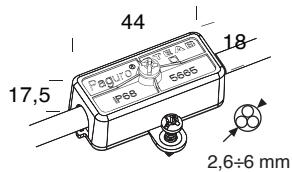
BGRESNOOT
(not included/external)
BUG RATING B0 U0 G0



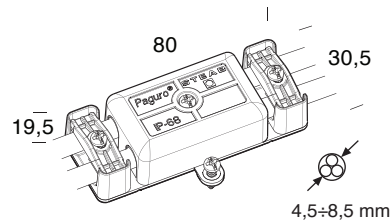
BGREPSNOOT65
(not included/external)
BUG RATING B0 U0 G0



HONEYCOMB
(not included/internal)
BUG RATING B0 U0 G0



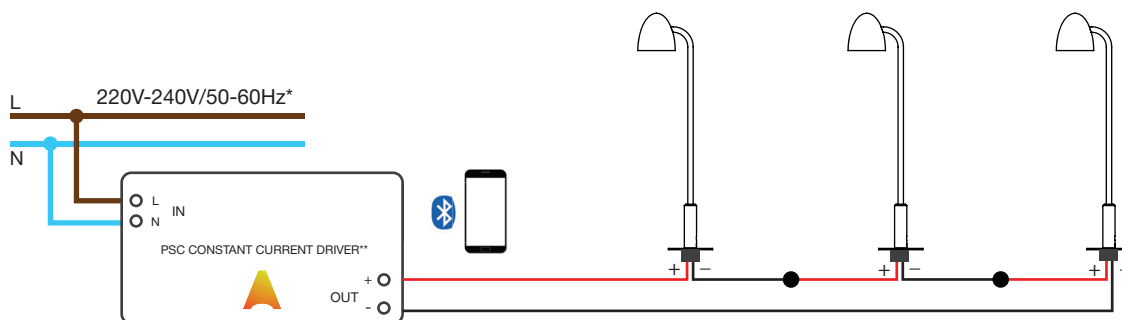
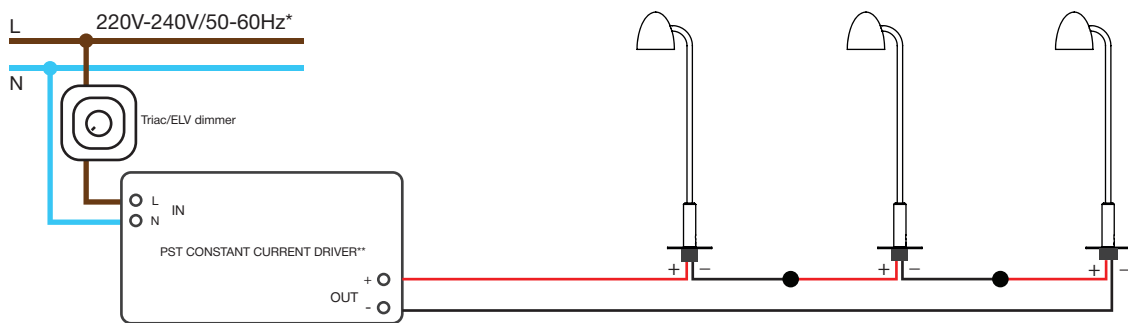
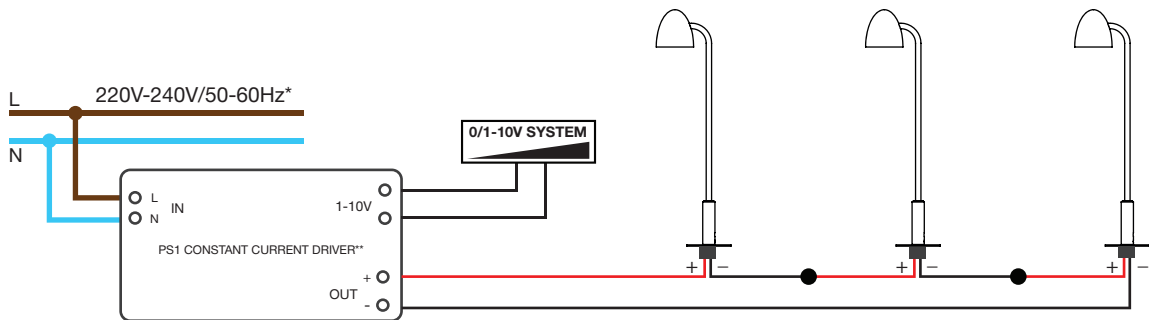
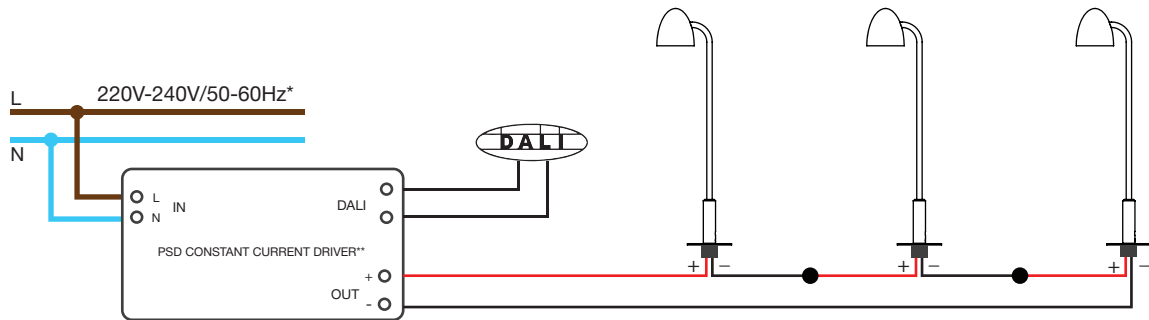
BCONN2IP68
Cable connector IP68 2 ways
(not included/external)



BCONN4IP68
Cable connector IP68 4 ways
(not included/external)

POPPY DRIVER CODES

version	input voltage	range current	max power	Setting	switching	IP	dimensions mm	code
for 1 spot	220-240V	700mA	4W	No	ON-OFF	65	38x27x21	WPSUND04700IP
for 1 to 5 spots	220-240V	700mA	12W	No	ON-OFF	20	127x50x14	WPSUND12700
for 1 to 4 spots	220-240V	700mA*	10W	No	TRIAC	20	110x30x22	WPSTST350-700
for 1 to 4 spots	220-240V	700mA*	10W	Yes	1-10V	20	110x30x22	WPS1ST350-700
2 to 7 spots	110-240V	700mA*	20W	Yes	DALI	20	120x52x22	WPSDST250-700
for 4 to 12 spots	220-240V	700mA*	26W	Yes	CASAMBI	20	97x43x30	WPSCST150-700
note	for outdoor installation IP connection system not included, series connection, *to be setted							



* Verificare la tensione di ingresso supportata dagli alimentatori / Verify the input tension supported from drivers.

** Usare un driver SELV / Use a SELV driver.

codes	description	lens	CCT	h	finish	internal accessory
GRPPO0809DPVE	POPPY 0,35M/12°/927/VE/2,4W/IN700mA max	12°	2700K	35CM	Pine Green	
GRPPO0809DPVEH	POPPY 0,35M/12°/927/VE+H/2,4W/IN700mA max	12°	2700K	35CM	Pine Green	Honeyomb
GRPPO0809DPLG	POPPY 0,35M/12°/927/LG /2,4W/IN700mA max	12°	2700K	35CM	Lucent Gove	
GRPPO0809DPLGH	POPPY 0,35M/12°/927/LG+H /2,4W/IN700mA max	12°	2700K	35CM	Lucent Grove	Honeyomb
GRPPO0809DPNE	POPPY 0,35M/12°/927/NE/2,4W/IN700mA max	12°	2700K	35CM	Ink Black	
GRPPO0809DPNEH	POPPY 0,35M/12°/927/NE+H/2,4W/IN700mA max	12°	2700K	35CM	Ink Black	Honeyomb
GRPPO0809DPCG	POPPY 0,35M/12°/927/CG/2,4W/IN700mA max	12°	2700K	35CM	Cetonia Green	
GRPPO0809DPCGH	POPPY 0,35M/12°/927/CG+H/2,4W/IN700mA max	12°	2700K	35CM	Cetonia Green	Honeyomb
GRPPO0809DMVE	POPPY 0,60M/12°/927/VE/2,4W/IN700mA max	12°	2700K	60CM	Pine Green	
GRPPO0809DMVEH	POPPY 0,60M/12°/927/VE+H/2,4W/IN700mA max	12°	2700K	60CM	Pine Green	Honeyomb
GRPPO0809DMLG	POPPY 0,60M/12°/927/LG /2,4W/IN700mA max	12°	2700K	60CM	Lucent Grove	
GRPPO0809DMLGH	POPPY 0,60M/12°/927/LG+H /2,4W/IN700mA max	12°	2700K	60CM	Lucent Grove	Honeyomb
GRPPO0809DMNE	POPPY 0,60M/12°/927/NE/2,4W/IN700mA max	12°	2700K	60CM	Ink Black	
GRPPO0809DMNEH	POPPY 0,60M/12°/927/NE+H/2,4W/IN700mA max	12°	2700K	60CM	Ink Black	Honeyomb
GRPPO0809DMCG	POPPY 0,60M/12°/927/CG/2,4W/IN700mA max	12°	2700K	60CM	Cetonia Green	
GRPPO0809DMCGH	POPPY 0,60M/12°/927/CG+H/2,4W/IN700mA max	12°	2700K	60CM	Cetonia Green	Honeyomb
GRPPO0809WPVE	POPPY 0,35M/12°/930/VE/2,4W/IN700mA max	12°	3000K	35CM	Pine Green	
GRPPO0809WPVEH	POPPY 0,35M/12°/930/VE+H/2,4W/IN700mA max	12°	3000K	35CM	Pine Green	Honeyomb
GRPPO0809WPLG	POPPY 0,35M/12°/930/LG /2,4W/IN700mA max	12°	3000K	35CM	Lucent Grove	
GRPPO0809WPLGH	POPPY 0,35M/12°/930/LG+H /2,4W/IN700mA max	12°	3000K	35CM	Lucent Grove	Honeyomb
GRPPO0809WPNE	POPPY 0,35M/12°/930/NE/2,4W/IN700mA max	12°	3000K	35CM	Ink Black	
GRPPO0809WPNEH	POPPY 0,35M/12°/930/NE+H/2,4W/IN700mA max	12°	3000K	35CM	Ink Black	Honeyomb
GRPPO0809WPCG	POPPY 0,35M/12°/930/CG/2,4W/IN700mA max	12°	3000K	35CM	Cetonia Green	
GRPPO0809WPCGH	POPPY 0,35M/12°/930/CG+H/2,4W/IN700mA max	12°	3000K	35CM	Cetonia Green	Honeyomb
GRPPO0809WMVE	POPPY 0,60M/12°/930/VE/2,4W/IN700mA max	12°	3000K	60CM	Pine Green	
GRPPO0809WMVEH	POPPY 0,60M/12°/930/VE+H/2,4W/IN700mA max	12°	3000K	60CM	Pine Green	Honeyomb
GRPPO0809WMLG	POPPY 0,60M/12°/930/LG /2,4W/IN700mA max	12°	3000K	60CM	Lucent Grove	
GRPPO0809WMLGH	POPPY 0,60M/12°/930/LG+H /2,4W/IN700mA max	12°	3000K	60CM	Lucent Grove	Honeyomb
GRPPO0809WMNE	POPPY 0,60M/12°/930/NE/2,4W/IN700mA max	12°	3000K	60CM	Ink Black	
GRPPO0809WMNEH	POPPY 0,60M/12°/930/NE+H/2,4W/IN700mA max	12°	3000K	60CM	Ink Black	Honeyomb
GRPPO0809WMCG	POPPY 0,60M/12°/930/CG/2,4W/IN700mA max	12°	3000K	60CM	Cetonia Green	
GRPPO0809WMCGH	POPPY 0,60M/12°/930/CG+H/2,4W/IN700mA max	12°	3000K	60CM	Cetonia Green	Honeyomb
GRPPO0811DPVE	POPPY 0,35M/37°/927/VE/2,4W/IN700mA max	37°	2700K	35CM	Pine Green	
GRPPO0811DPVEH	POPPY 0,35M/37°/927/VE+H/2,4W/IN700mA max	37°	2700K	35CM	Pine Green	Honeyomb
GRPPO0811DPLG	POPPY 0,35M/37°/927/LG /2,4W/IN700mA max	37°	2700K	35CM	Lucent Grove	
GRPPO0811DPLGH	POPPY 0,35M/37°/927/LG+H /2,4W/IN700mA max	37°	2700K	35CM	Lucent Grove	Honeyomb
GRPPO0811DPNE	POPPY 0,35M/37°/927/NE/2,4W/IN700mA max	37°	2700K	35CM	Ink Black	
GRPPO0811DPNEH	POPPY 0,35M/37°/927/NE+H/2,4W/IN700mA max	37°	2700K	35CM	Ink Black	Honeyomb
GRPPO0811DPCG	POPPY 0,35M/37°/927/CG/2,4W/IN700mA max	37°	2700K	35CM	Cetonia Green	
GRPPO0811DPCGH	POPPY 0,35M/37°/927/CG+H/2,4W/IN700mA max	37°	2700K	35CM	Cetonia Green	Honeyomb
GRPPO0811DMVE	POPPY 0,60M/37°/927/VE/2,4W/IN700mA max	37°	2700K	60CM	Pine Green	
GRPPO0811DMVEH	POPPY 0,60M/37°/927/VE+H/2,4W/IN700mA max	37°	2700K	60CM	Pine Green	Honeyomb
GRPPO0811DMLG	POPPY 0,60M/37°/927/LG /2,4W/IN700mA max	37°	2700K	60CM	Lucent Grove	
GRPPO0811DMLGH	POPPY 0,60M/37°/927/LG+H /2,4W/IN700mA max	37°	2700K	60CM	Lucent Grove	Honeyomb
GRPPO0811DMNE	POPPY 0,60M/37°/927/NE/2,4W/IN700mA max	37°	2700K	60CM	Ink Black	
GRPPO0811DMNEH	POPPY 0,60M/37°/927/NE+H/2,4W/IN700mA max	37°	2700K	60CM	Ink Black	Honeyomb
GRPPO0811DMCG	POPPY 0,60M/37°/927/CG/2,4W/IN700mA max	37°	2700K	60CM	Cetonia Green	
GRPPO0811DMCGH	POPPY 0,60M/37°/927/CG+H/2,4W/IN700mA max	37°	2700K	60CM	Cetonia Green	Honeyomb
GRPPO0811WPVE	POPPY 0,35M/37°/930/VE/2,4W/IN700mA max	37°	3000K	35CM	Pine Green	
GRPPO0811WPVEH	POPPY 0,35M/37°/930/VE+H/2,4W/IN700mA max	37°	3000K	35CM	Pine Green	Honeyomb
GRPPO0811WPLG	POPPY 0,35M/37°/930/LG /2,4W/IN700mA max	37°	3000K	35CM	Lucent Grove	
GRPPO0811WPLGH	POPPY 0,35M/37°/930/LG+H /2,4W/IN700mA max	37°	3000K	35CM	Lucent Grove	Honeyomb
GRPPO0811WPNE	POPPY 0,35M/37°/930/NE/2,4W/IN700mA max	37°	3000K	35CM	Ink Black	
GRPPO0811WPNEH	POPPY 0,35M/37°/930/NE+H/2,4W/IN700mA max	37°	3000K	35CM	Ink Black	Honeyomb
GRPPO0811WPCG	POPPY 0,35M/37°/930/CG/2,4W/IN700mA max	37°	3000K	35CM	Cetonia Green	
GRPPO0811WPCGH	POPPY 0,35M/37°/930/CG+H/2,4W/IN700mA max	37°	3000K	35CM	Cetonia Green	Honeyomb
GRPPO0811WMVE	POPPY 0,60M/37°/930/VE/2,4W/IN700mA max	37°	3000K	60CM	Pine Green	
GRPPO0811WMVEH	POPPY 0,60M/37°/930/VE+H/2,4W/IN700mA max	37°	3000K	60CM	Pine Green	Honeyomb
GRPPO0811WMLG	POPPY 0,60M/37°/930/LG /2,4W/IN700mA max	37°	3000K	60CM	Lucent Grove	
GRPPO0811WMLGH	POPPY 0,60M/37°/930/LG+H /2,4W/IN700mA max	37°	3000K	60CM	Lucent Grove	Honeyomb
GRPPO0811WMNE	POPPY 0,60M/37°/930/NE/2,4W/IN700mA max	37°	3000K	60CM	Ink Black	
GRPPO0811WMNEH	POPPY 0,60M/37°/930/NE+H/2,4W/IN700mA max	37°	3000K	60CM	Ink Black	Honeyomb
GRPPO0811WMCG	POPPY 0,60M/37°/930/CG/2,4W/IN700mA max	37°	3000K	60CM	Cetonia Green	
GRPPO0811WMCGH	POPPY 0,60M/37°/930/CG+H/2,4W/IN700mA max	37°	3000K	60CM	Cetonia Green	Honeyomb