

ILTI LUCE



ABOUT OUTDOORS

2026

ILTI LUCE

About Outdoors



In Ground

Greenery

Poppy



p.10

Mirtilla



p.18

Oliver



p.26

Twig



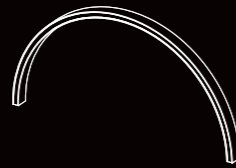
p.48

Miniflux Garden



p.54

Zirkol Outdoor



p.60

Recessed

Nebula



p.34

Tilde



p.40

Surface

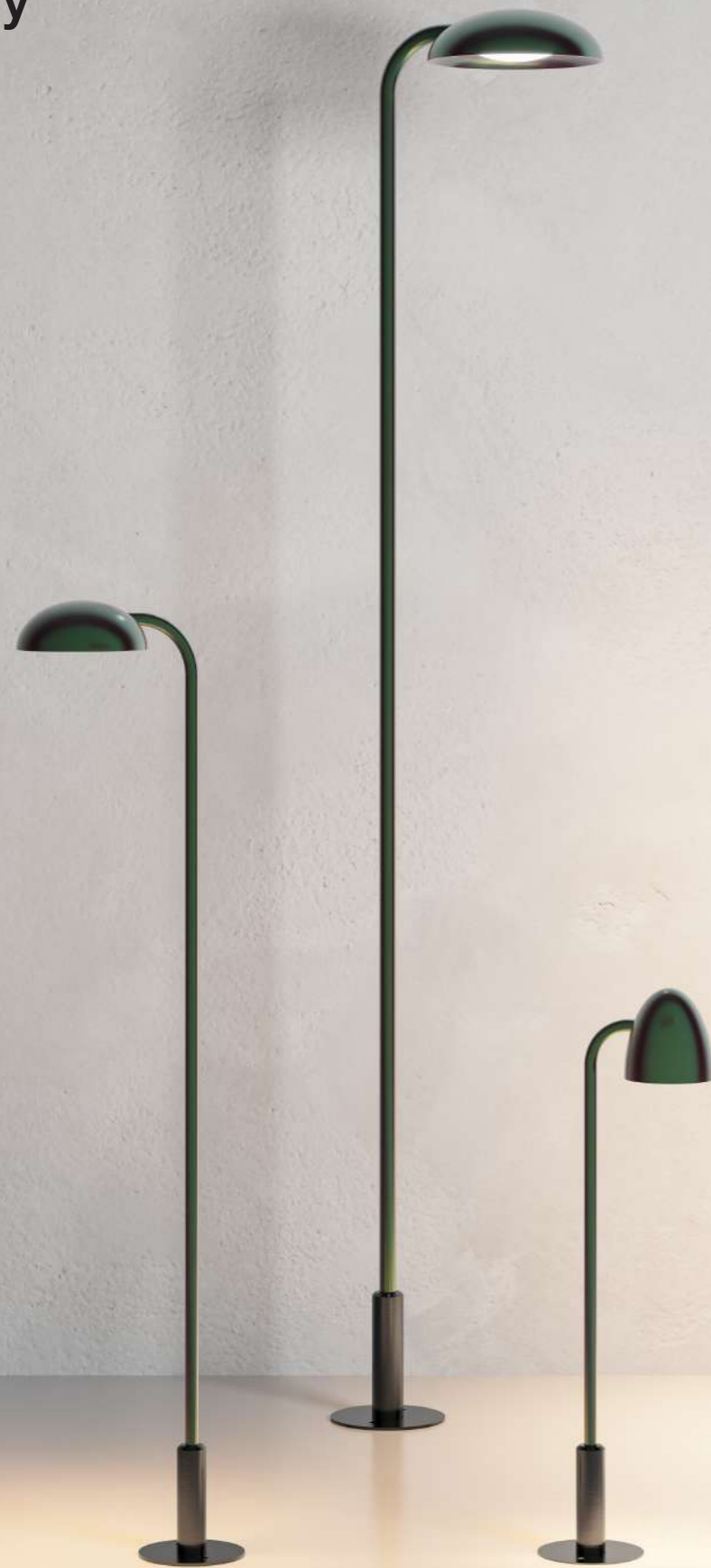
Index

Poppy	10
Mirtilla	18
Oliver	26
Nebula	34
Tilde	40
Twig	48
Miniflux Garden	54
Zirkol Outdoor	60
Driver	66

Greenery Range Gamma Greenery



Greenery



Mirtilla, Oliver, Poppy,
cetonio green.

The new Greenery range stands out for its organic and essential geometries. The harmony of the shapes blends perfectly with the high technical performance, ensuring precise and uniform lighting. The lamps, proposed in three versions and for different applications, are available in iridescent and satin finishes that merge with the vegetation, creating a sophisticated and welcoming environment.

La nuova gamma Greenery si distingue per le sue geometrie organiche ed essenziali. L'armonia delle forme si fonde perfettamente con le elevate prestazioni tecniche, garantendo un'illuminazione precisa e uniforme. Le lampade, proposte in tre versioni e per differenti applicazioni d'uso, sono disponibili in finiture iridescenti e satiniate che si integrano nella vegetazione, creando un ambiente sofisticato e accogliente.



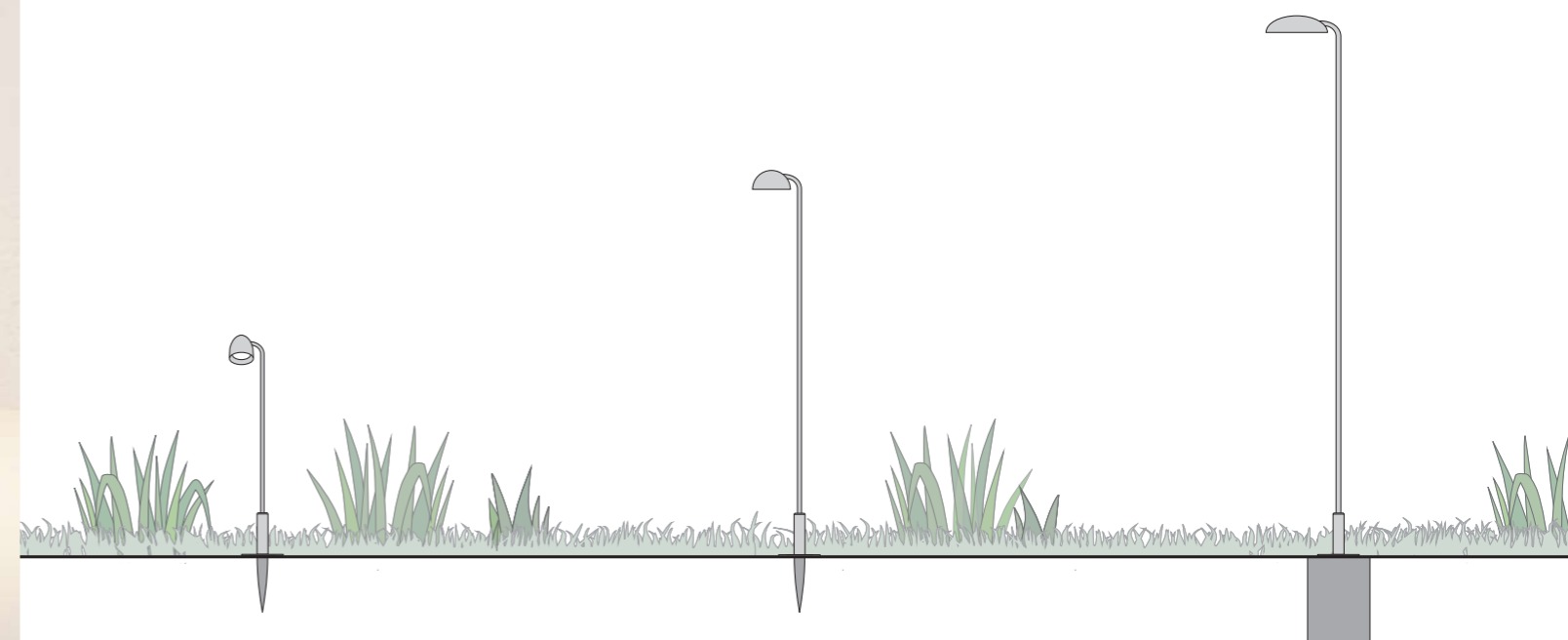
Poppy



Mirtilla



Oliver



350 _ 600 mm

600 _ 900 mm

600 _ 1000 mm

Poppy



Greenery

Poppy

Material: Aluminum / Steel

Height: 350 / 600 mm

CCT: 2700K / 3000K

Accessories: Honeycomb, Peg, Snoot, Snoot 65°

Adjustability: Up to 325°

Dimmable: According to driver

Lens: Symmetric 12° / 37°

Luminous flux: 169 lm (3000K 12°)

Efficacy: 74 lm/W

Power consumption: 2,3W

Input current: Max 700mA

IP rating: 65

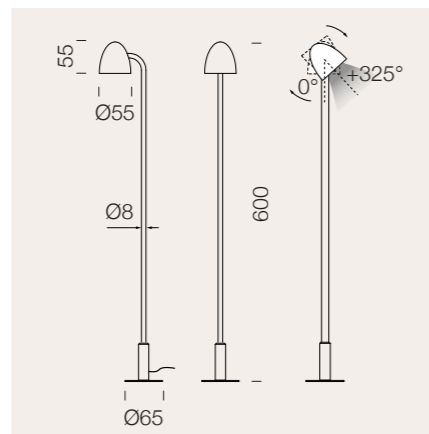
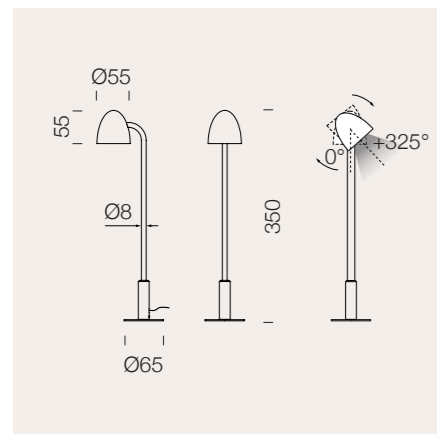
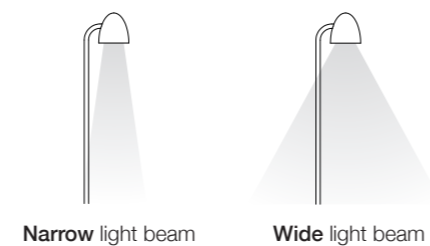
Finishes:

● Cetonia Green

● Pine Green

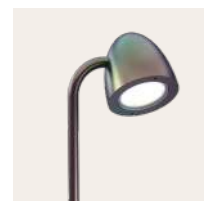
● Lucent Grove

● Ink Black

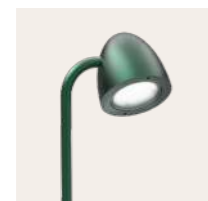


Poppy is characterized by a thin rod and a small spot. It is available in two different heights and can be oriented laterally up to 325°. It emits a punctual light, with two optics options available.

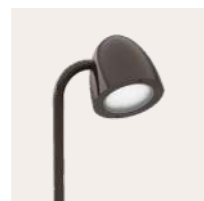
Poppy si caratterizza per una sottile asta e uno spot di dimensioni ridotte. È disponibile in due altezze diverse e può essere orientato lateralmente fino a 325°. Emette una luce puntuale, con due opzioni di ottiche disponibili.



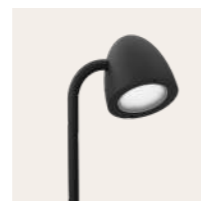
Cetonia Green



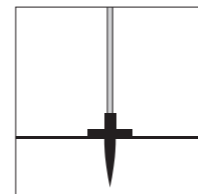
Pine Green



Lucent Grove



Ink Black



Peg installation



Poppy, cetonia green.
Private residence



Poppy, cetonia green.
Private residence



Honeycomb Filter

For even greater visual comfort, Poppy can be equipped with an optional internal honeycomb filter that minimizes glare and ensures a more refined lighting experience.

Filtro Honeycomb

Per un comfort visivo ancora maggiore, Poppy può essere dotato di un filtro interno a nido d'ape opzionale che riduce al minimo l'abbagliamento e garantisce un'esperienza di illuminazione più raffinata.

Poppy, pine green.
Private residence



325° adjustability

Engineered for versatility, Poppy offers up to 325° of lateral rotation, allowing you to adapt the lighting in any setting. Whether illuminating natural or architectural details or enhancing vertical elements, it adapts with precision.

Orientabilità a 325°

Progettato per la massima versatilità, Poppy consente una rotazione laterale fino a 325°, offrendo totale libertà di puntamento. Che si tratti di enfatizzare dettagli architettonici, elementi naturali o superfici verticali, si adatta con precisione ad ogni scenario.

Poppy, cetonia green.
Private residence

Poppy

Codes

Codici

CE UK IP65

	Optical lens	CCT (K)	Delivered flux	CRI	Height	Finishes	Optional internal accessories
GRPPO08	09 12°	D 2700	165lm (700mA)	>90	P 350 mm	VE ●	H Honeycomb
	11 37°	W 3000	169lm (700mA)	>90		NE ●	
					M 600 mm	LG ●	
						CG ●	

On demand: Fixed version / CCT 2400K version

Note: Driver not included p.68 | cable length 2m, series connection

Example code:

GRPPO0809DPVEH
GRPPO0809DPVE + H

Accessories

Accessori

Internal accessories / not included
Accessori interni / non inclusi

H

Note: To be requested when ordering.
Da richiedere al momento dell'ordine.



Honeycomb
Honeycomb

Finish: Black
Finitura: Nero

Example code:

GRPPO0809DPVEH

Complete the product code by adding the final letter, which corresponds to the internal accessory to be integrated.

Il codice prodotto può essere completato inserendo l'ultima lettera, riferita all'eventuale accessorio interno da integrare.

External accessories / not included
Accessori esterni / non inclusi

BGREPEG21



Peg
Picchetto

Finish: Black
Finitura: Nero

BGRESNOOT



Snoot
Snoot

Finish: Black
Finitura: Nero

BCONN2IP68



Cable connector
IP68 2 ways
Connettore cavi
IP68 a due vie

Finish: Black
Finitura: Nero

BGRESNOOT65



Snoot 65°
Snoot 65°

Finish: Black
Finitura: Nero

BCONN4IP68



Cable connector
IP68 4 ways
Connettore cavi
IP68 a quattro vie

Finish: Black
Finitura: Nero

Series connection



Mirtilla



Greenery

Mirtilla

Material: Aluminum / Steel

Height: 600 / 900 mm

CCT: 2700K / 3000K

Accessories: Peg

Adjustability: $\pm 30^\circ$

Dimmable: According to driver

Diffuser: Diffused 70°

Luminous flux: 150 lm (3000K)

Efficacy: 72 lm/W

Power consumption: 2,1W

Input current: Max 700mA

IP rating: 65

Finishes:

● Cetonia Green

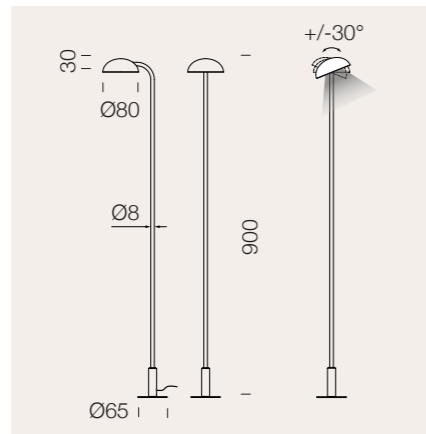
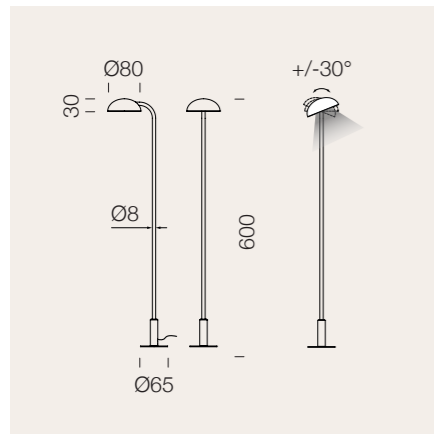
● Pine Green

● Lucent Grove

● Ink Black

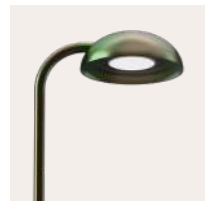


Diffused light beam



Mirtilla is available in two heights and has a lateral adjustability of 60°. The optical body is equipped with a lens that allows for wide and diffused light emission.

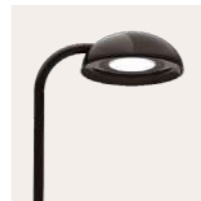
Disponibile in due altezze, Mirtilla permette un'orientabilità laterale di 60°. Il corpo ottico è dotato di una lente che consente un'emissione luminosa ampia e diffusa.



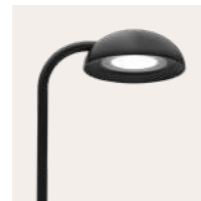
Cetonia Green



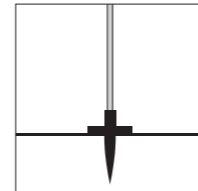
Pine Green



Lucent Grove



Ink Black



Peg installation





Mirtilla, cetonio green, ink black, pine green.
Private residence



Microprismatic diffuser

Equipped with a 70° microprismatic diffuser, Mirtilla delivers broad, uniform illumination combined with exceptional visual comfort and refined light quality.

Diffusore microprismatico

Dotata di un diffusore microprismatico da 70°, Mirtilla diffonde una luce ampia e omogenea, offrendo un comfort visivo superiore e una resa luminosa raffinata e di alta qualità.

Mirtilla, ink black.
Private residence



±30° adjustability

Thanks to its ±30° lateral adjustability, Mirtilla delivers precise, natural illumination that enhances any space with remarkable versatility. This feature broadens installation possibilities and ensures complete freedom of positioning, allowing for consistently harmonious and well-balanced lighting.

Orientabilità di ±30°

Grazie alla sua orientabilità laterale di ±30°, Mirtilla diffonde una luce precisa e naturale, valorizzando ogni spazio con grande versatilità. Questa caratteristica amplia le possibilità di installazione e offre la massima libertà di posizionamento, garantendo un'illuminazione sempre armoniosa ed equilibrata.

Mirtilla, cetonio green.
Private residence

Mirtilla

Codes

Codici

CE UK IP65

	Optical lens	CCT (K)	Delivered flux	CRI	Height	Finishes
GRMPO01	12 Diffused	D 2700	147lm (700mA)	>90	M 600 mm	VE ●
		W 3000	150lm (700mA)	>90		NE ●
					A 900 mm	LG ●
						CG ●
						VE ●
						NE ●
						LG ●
						CG ●

Example code:
GRMPO0112DMVE

On demand: Fixed version / LED Amber version

Note: Driver not included p.68 | cable length 2m, series connection

Accessories

Accessori

Mirtilla

External accessories / not included
Accessori esterni / non inclusi

BGREPEG21



Peg
Picchetto

Finish: Black
Finitura: Nero

BCONN2IP68



Cable connector
IP68 2 ways
Connettore cavi
IP68 a due vie

Finish: Black
Finitura: Nero

BCONN4IP68



Cable connector
IP68 4 ways
Connettore cavi
IP68 a quattro vie

Finish: Black
Finitura: Nero

Series connection



Mirtilla, ink black.
Private residence, Turin

Oliver



Greenery

Oliver

Material: Aluminum / Steel

Height: 600 / 1000 mm

CCT: 2700K / 3000K

Accessories: Plinth

Adjustability: No

Dimmable: According to driver

Lens: Asymmetric

161° Ultra Wide (10,5x2,6m) / 154° Wide (7,8x4m)

Luminous flux: 686 lm (3000K 161° Ultra Wide)

Efficacy: 84 lm/W

Power consumption: 8,2W

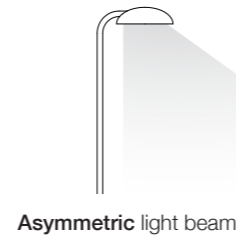
Input current: Max 700mA

IP rating: 65

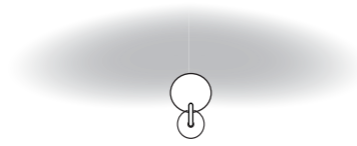
Finishes:

● Cetonia Green
● Pine Green

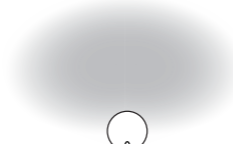
● Lucent Grove
● Ink Black



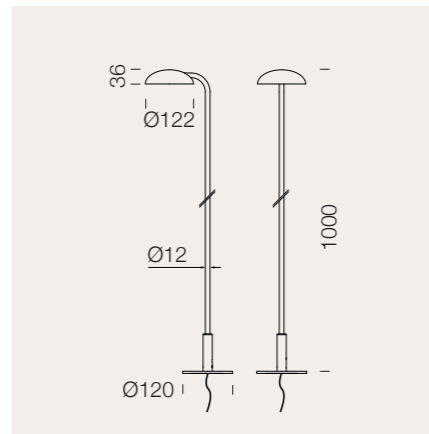
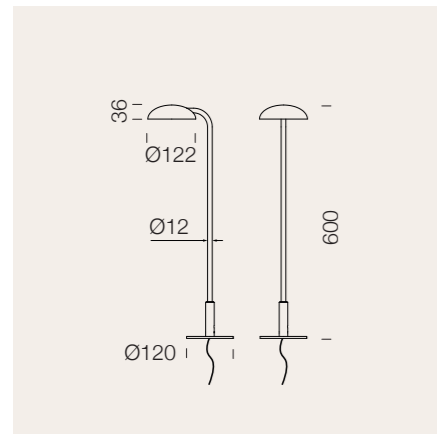
Asymmetric light beam



Ultra Wide light beam



Wide light beam



Oliver is a bollard with fixed optics, available in two heights and with two types of lenses that allow asymmetrical light beams. It guarantees diffused and homogeneous lighting.

Oliver è un bollard con ottica fissa, disponibile in due altezze e con due tipi di lenti che permettono fasci luminosi asimmetrici. Garantisce un'illuminazione diffusa e omogenea.

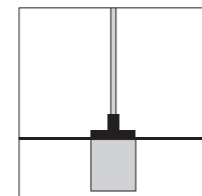


Cetonia Green

Pine Green

Lucent Grove

Ink Black



Plinth installation





Oliver, ink black.
Private residence



Ultra Wide or Wide emission

With a 161° Ultra Wide lens, Oliver covers a maximum area of 10,5m x 2,6m, offering broad and homogeneous coverage. The 154° Wide lens, creates a beam that extends 7,8m in width and 4m forward.

Light transforms into a true design tool capable of guiding, welcoming, and shaping environments discreetly, while reducing the quantity and refining the placement of luminaires.

Emissione Ultra Wide e Wide

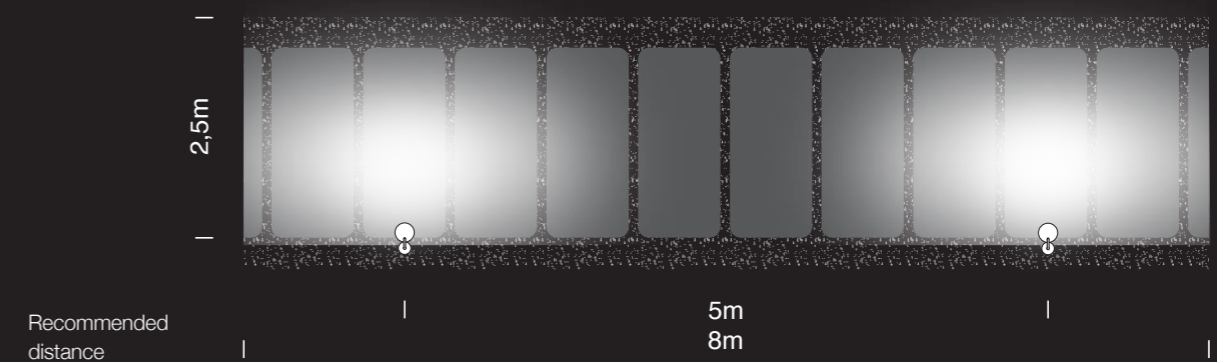
La lente Ultra Wide (161°) illumina un'area massima di 10,5m x 2,6m, offrendo una copertura ampia e omogenea. La lente Wide (154°), genera un fascio di luce che si estende per 7,8m orizzontalmente e 4m frontalmente.

La luce diventa un vero e proprio elemento di design: guida, accoglie e valorizza gli spazi senza risultare invasiva, permettendo al contempo un'ottimizzazione del numero e della disposizione dei corpi illuminanti.

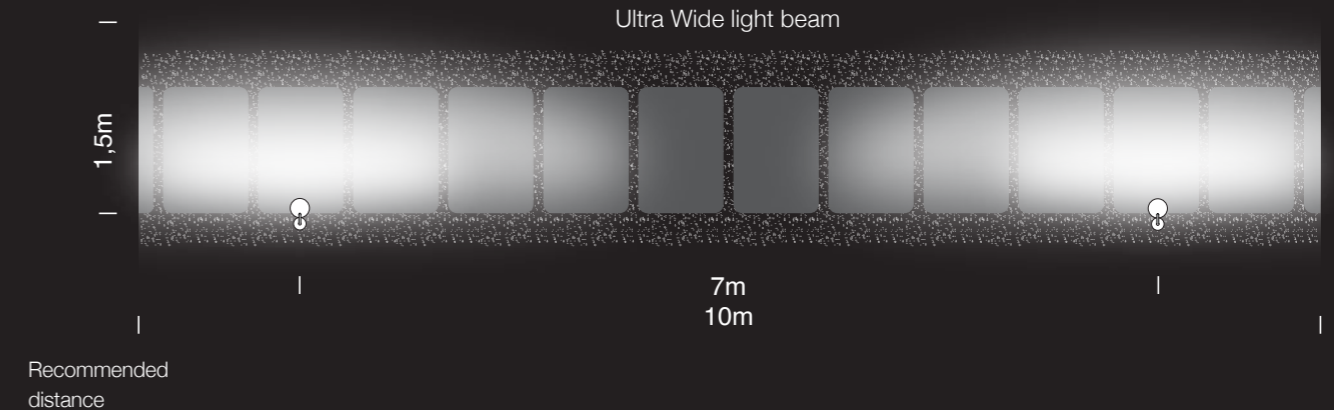
Oliver, pine green.
Private residence

Lens type

Wide light beam



Ultra Wide light beam



Oliver

Codes

Codici

CE UK CA IP65

	Optical lens	CCT (K)	Delivered flux	CRI	Height	Finishes
GROPF09	13 161° Ultra Wide	D 2700	610lm (700mA)	>90	M 600 mm	VE ●
	14 154° Wide	W 3000	686lm (700mA)	>90		NE ●
						LG ●
						CG ●
					B 1000 mm	VE ●
						NE ●
						LG ●
						CG ●

Example code:
GROPF0913DMVE

On demand: LED Amber version (max 2,3W)

Note: Driver not included p.68 | cable length 2m, series connection

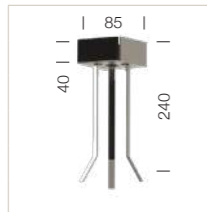
Accessories

Accessori

Oliver

External accessories / not included
Accessori esterni / non inclusi

BGREPLINTH



Plinth
Plinth

Material: Stainless steel
Materiale: Acciaio inox

BCONN2IP68



Cable connector
IP68 2 ways
Connettore cavi
IP68 a due vie

Finish: Black
Finitura: Nero

BCONN4IP68



Cable connector
IP68 4 ways
Connettore cavi
IP68 a quattro vie

Finish: Black
Finitura: Nero

Series connection



Oliver, pine green.
Private residence

Nebula

Fabio Santambrogio . Design Studio



Nebula

Fabio Santambrogio . Design Studio

Material: Aluminum

Dimension: Ø44 cm

CCT: 2700K / 3000K

Accessories: No

Adjustability: No

Dimmable: According to driver

Lens: Asymmetric

Luminous flux: 10 lm (2700K)

Efficacy: 8,3 lm/W

Power consumption: 1,2W

Input current: Max 350mA

IP rating: 65

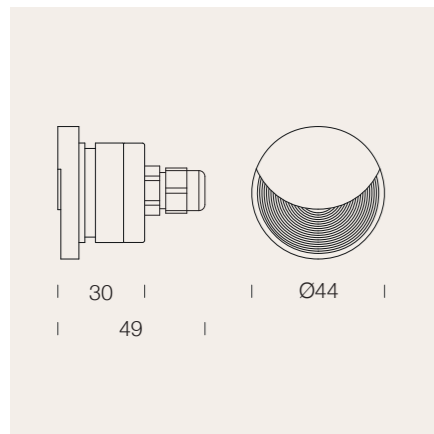
Finishes:

● Silver Grey

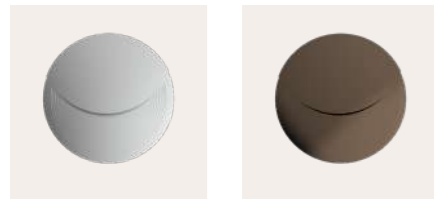
● Mocha Brown

Inspired by the discoveries of the Hubble Space Telescope, Nebula takes the form of a small spot that captures the shape and characteristic details of the cosmic formation. The intricate hourglass structure, with rings engraved in the aluminum, reflects and distributes light in a discreet and elegant way.

Ispirata dalle scoperte del telescopio spaziale Hubble, Nebula si concretizza in uno spot dalle piccole dimensioni che racchiude la forma e i dettagli caratteristici di questa formazione cosmica. La struttura a clessidra intricata, con anelli incisi nell'alluminio, riflette e distribuisce la luce in modo discreto ed elegante.



Asymmetric light beam



Silver Grey

Mocha Brown



Nebula, silver grey,
Private residence

Nebula

Codes

Codici

CE UK IP65

	Optical lens		CCT (K)	Delivered flux	CRI	Finishes
BNEB0201	2 Asymmetric	17	D 2700	<10lm (350mA)	>90	AA ●
			W 3000	<10lm (350mA)	>90	MB ●

Example code:
BNEB0201217DAA

Note: Driver not included p.68 | cable length 1m, series connection

Accessories

Accessori

Nebula

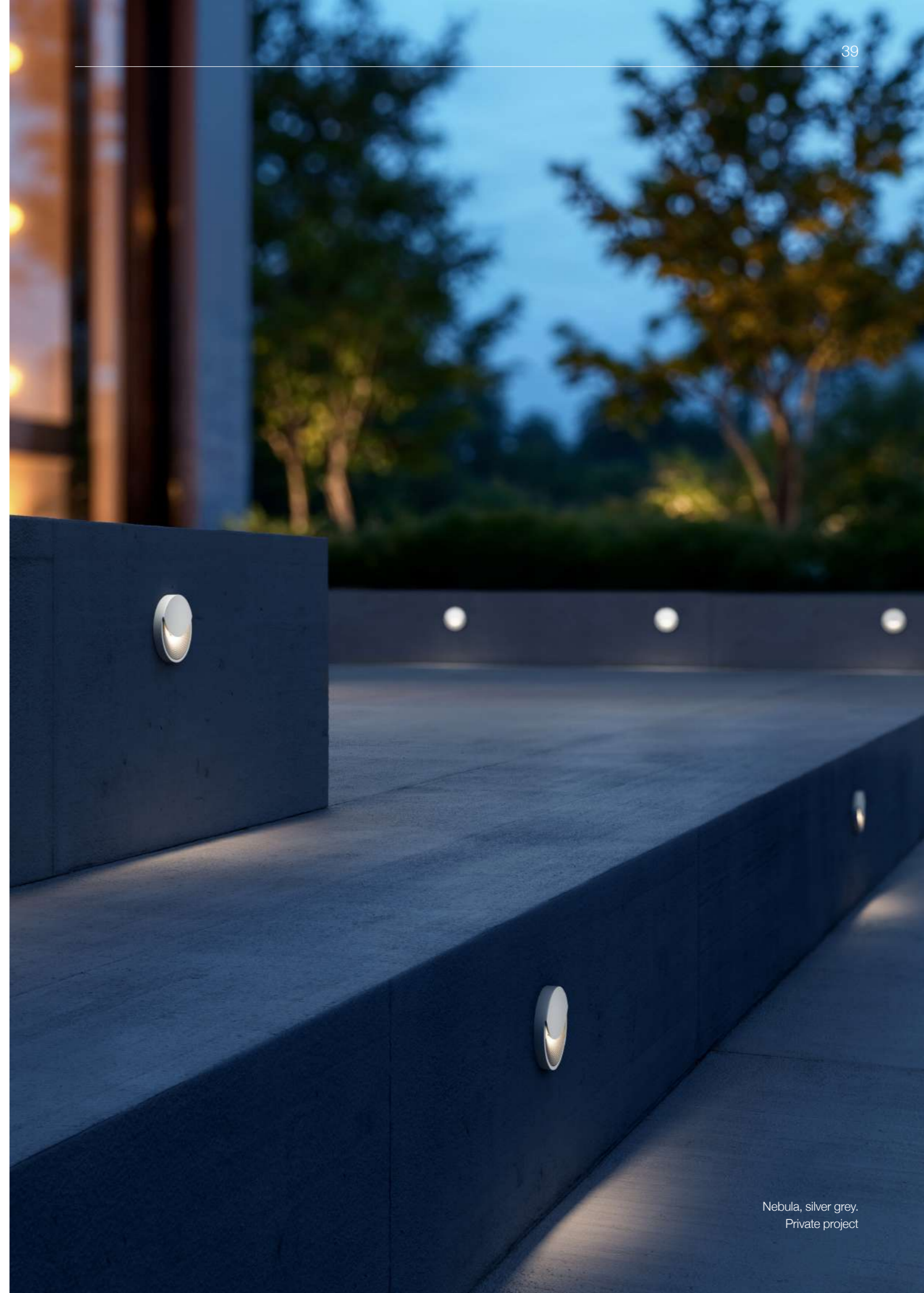
External accessories / not included
Accessori esterni / non inclusi

BLUXCASSA1



Recessed box
Box da incasso

Finish: Black
Finitura: Nero



Tilde

Charles Kalpakian



Tilde, silver grey.
Private residence

Tilde

Charles Kalpakian



Tilde 575 mm, matte sand,
Tilde 240 mm, silver grey.

Tilde takes shape from the archetypal curve of terracotta, reinterpreted in a modern key, enhancing its lightness through an aluminum structure.

Tilde nasce dalla curva archetipa della terracotta, reinterpretata in chiave moderna esaltandone la leggerezza attraverso una struttura in alluminio.



Tilde, matte sand.
Private project

Tilde

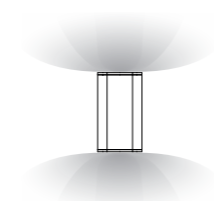
Charles Kalpakian

Material: Aluminum
Height: 240 / 575 mm
CCT: 2700K / 3000K
Accessories: No
Adjustability: No
Dimmable: TRIAC
Diffuser: Opal
Power consumption: 10W / 23W
Input voltage: 220/240V
IP rating: 65

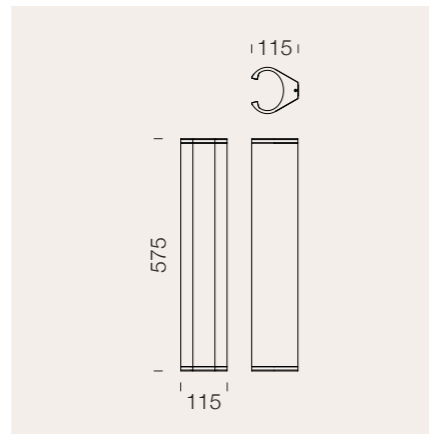
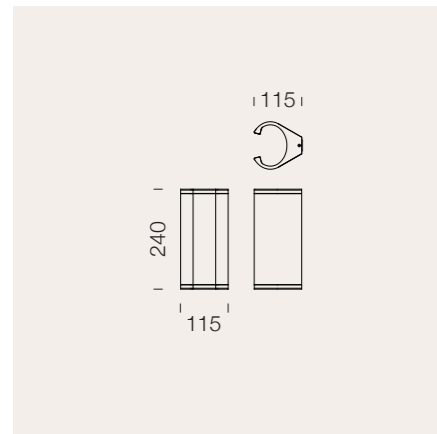
Finishes:

● Silver Grey

● Matte Sand



Diffused light beam



Silver Grey



Matte Sand



Tilde, matte sand.
Private residence

Tilde

Codes Codici

CE UK CA IP65

	Control	CCT (K)	Delivered flux	CRI	Height	Finishes
TILW11G	T TRIAC	D 2700	280lm (240mm)	>80	A 240 mm	GG ●
		W 3000	310lm (240mm)	>80	B 575 mm	SS ●
						GG ●
						SS ●

Example code:
TILW11GTDAGG

Note: Driver included

CCT and delivered flux may vary depending on the lamp's internal finish.



The lamp diffuses an indirect and homogeneous light, creating a calm and immersive atmosphere that enhances both the object and the surrounding architectural space.

La lampada diffonde una luce indiretta che si distribuisce uniformemente, creando un'atmosfera calma e immersiva in grado di valorizzare sia l'oggetto, sia lo spazio architettonico circostante.



Tilde, silver grey.
Private project

Twig



Twig

Material: Aluminum / Brass

Height: 650 / 850 mm

CCT: 2700K/3000K

Accessories: No

Adjustability: No

Dimmable: According to driver

Lens: Symmetric 36°

Luminous flux: 96 lm (3000K)

Efficacy: 96 lm/W

Power consumption: 1W

Input current: Max 350mA

IP rating: 65

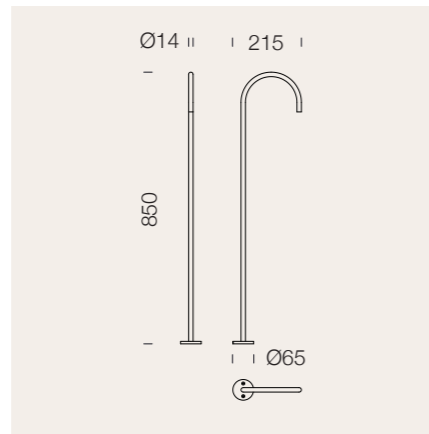
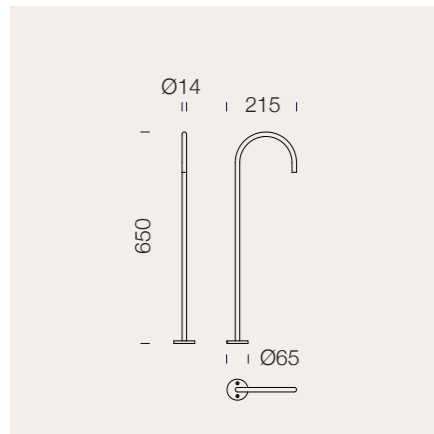
Finishes:

● Ink Black

● Pine Green



Diffused light beam



An essential and clean design that interacts discreetly with the space. A thin line that ends with a point of light. It illuminates the vegetation or paths, almost disappearing into the environment in which it is installed.

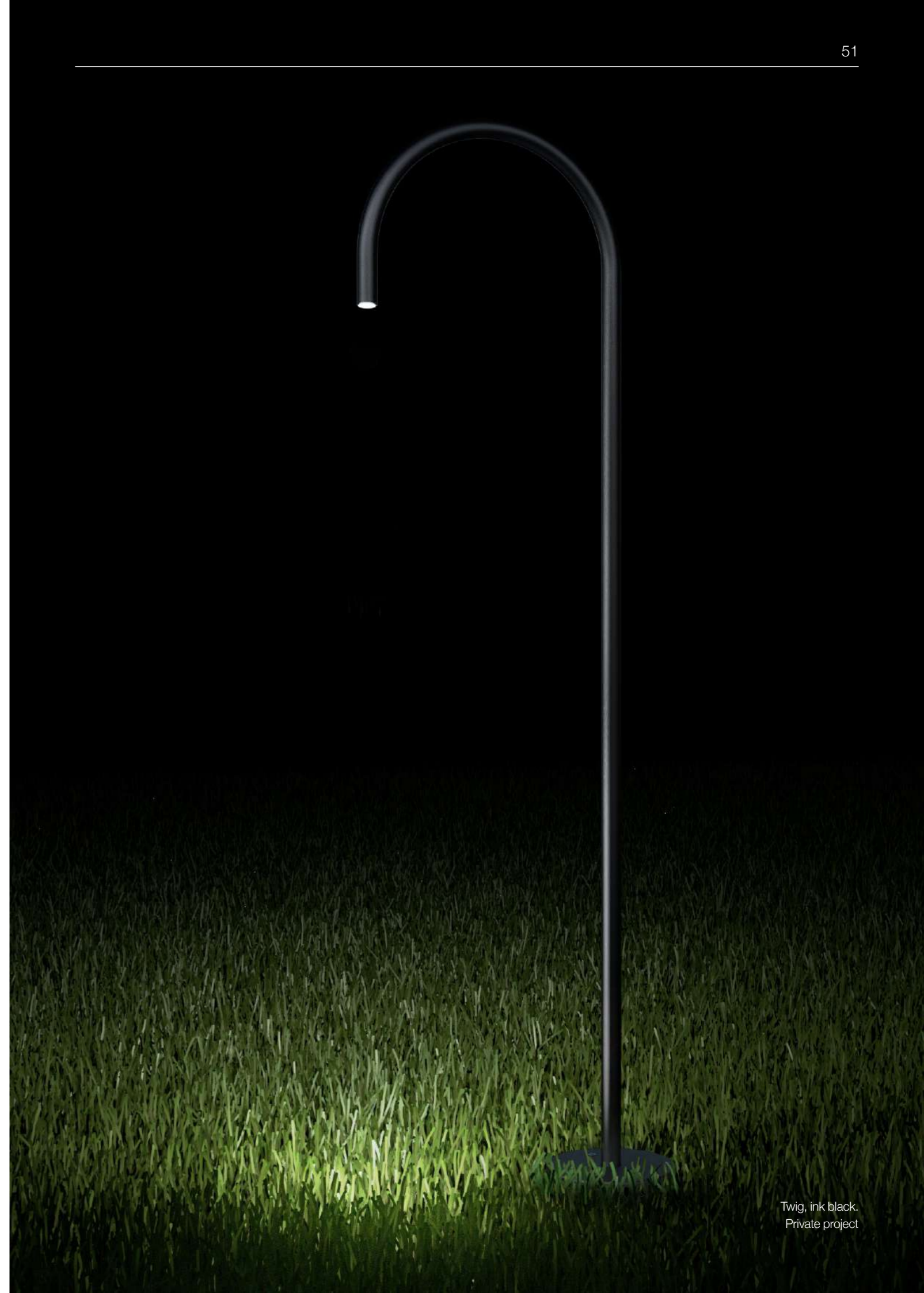
Un design essenziale e pulito che interagisce discretamente con lo spazio. Una sottile linea che si conclude con un punto di luce. Illumina la vegetazione o i percorsi, quasi scomparendo all'interno dell'ambiente in cui è installato.



Ink Black



Pine Green



Twig, ink black.
Private project

Twig

Codes Codici

CE UK IP65

	Optical lens		CCT (K)		Delivered flux		CRI	Height		Finishes	
TWD0001	11	36°	D	2700	82lm (350mA)	>90	A	650 mm	NE	●	
			W	3000	96lm (350mA)	>90			VE	●	
							B	850 mm	NE	●	
									VE	●	

Example code:
TWD000111DANE

Note: Driver not included p.68 | cable length 2m, series connection

Accessories Accessori

Twig

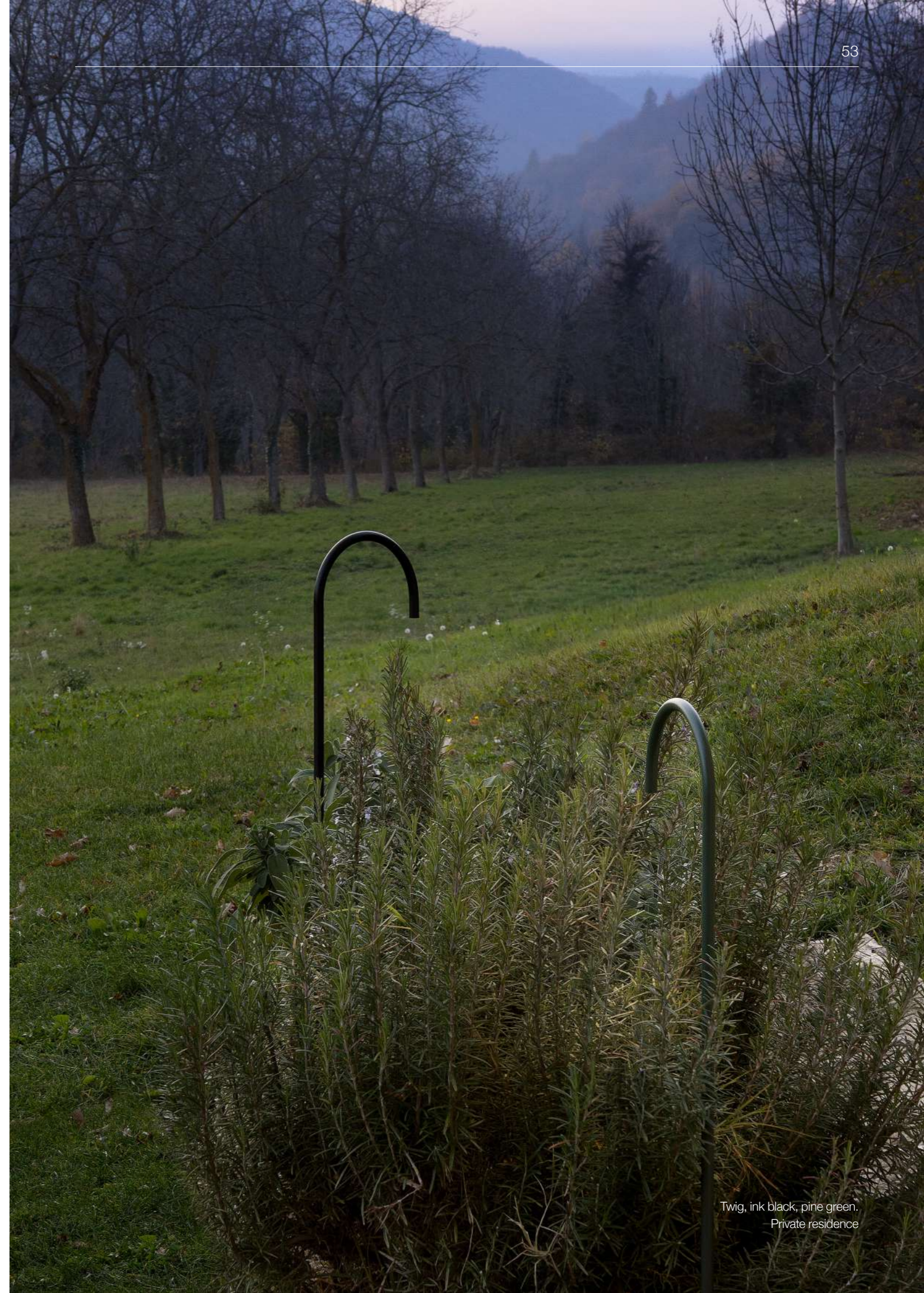
External accessories / not included
Accessori esterni / non inclusi

BGREPEG21



Peg
Picchetto

Finish: Black
Finitura: Nero



Twig, ink black, pine green.
Private residence

Miniflux Garden



Miniflux Garden

Material: Aluminum, Polycarbonate

Height: 820 / 1220 mm

CCT: 2700K / 3000K / 4000K

Accessories: Base, Base 20°

Adjustability: Peg installation

Dimmable: According to driver

Optic: 120°

Luminous flux: 560 lm / 1025 lm (4000K)

Efficacy: 65 lm/W

Power consumption: 8W, 14W

Input voltage: IN 24V

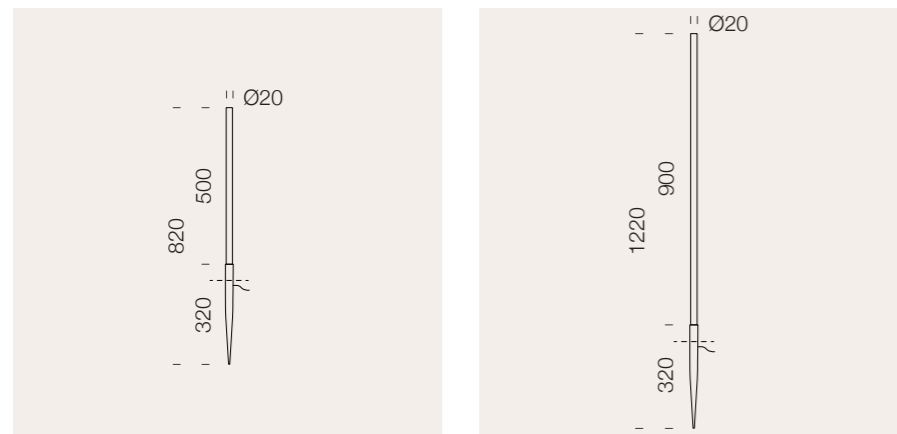
IP rating: 65

Finishes:

● Black

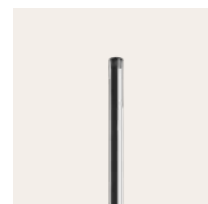


Diffused light beam

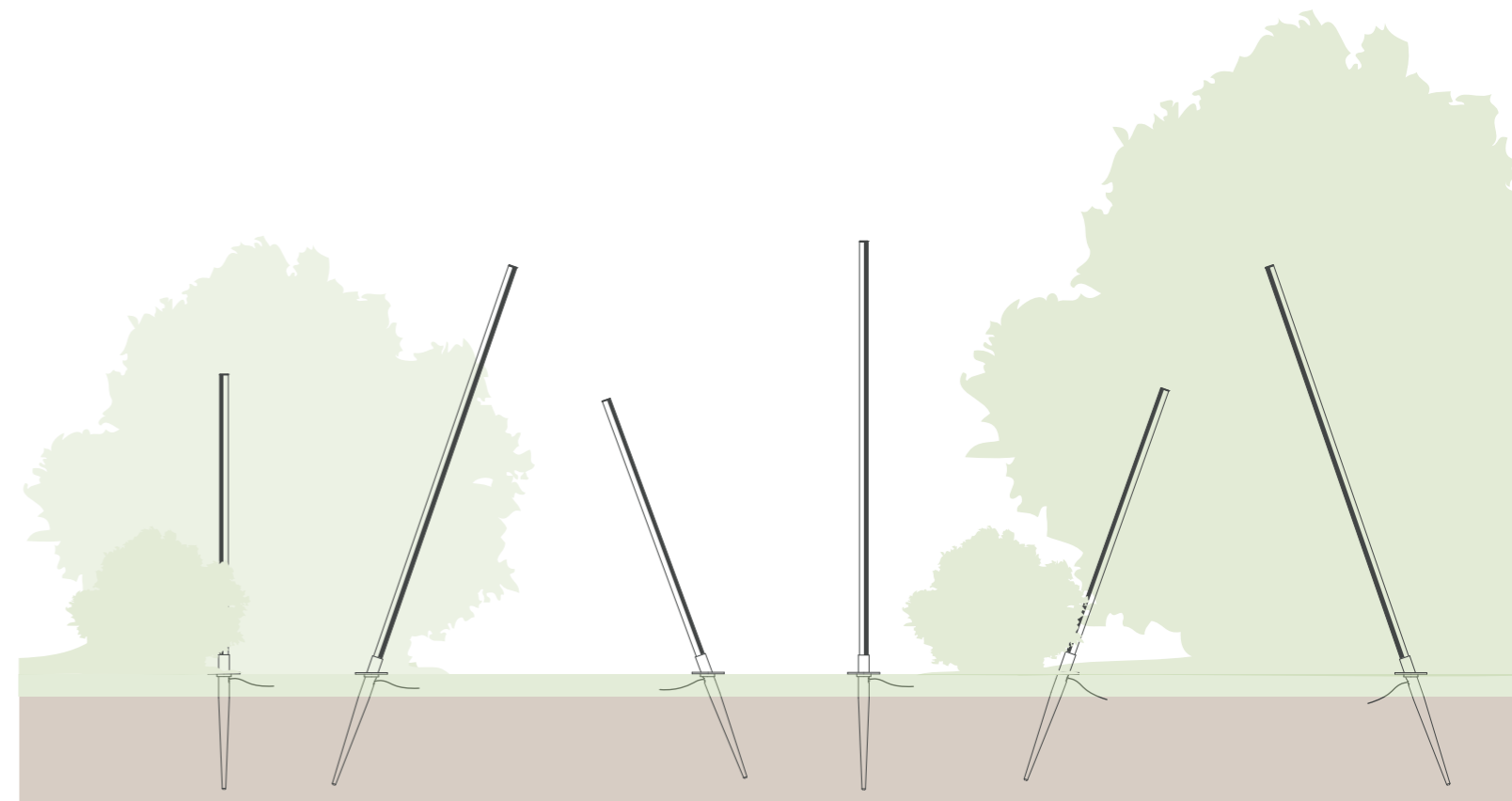


Miniflux synthesizes the industrial function par excellence by realizing a LED strip in a linear and modular system. The Garden version, orientable and easy to install on the ground, offers a particularly decorative lighting solution especially when used in combination with other lamps.

Miniflux sintetizza la funzione industriale per eccellenza concretizzando una striscia LED in un sistema lineare e modulare. La versione Garden, orientabile e di facile installazione nel terreno, offre una soluzione luminosa particolarmente decorativa se utilizzata in combinazione con altre lampade.



Black



Vertical installation

20° inclined installation



Miniflux Garden, black.

Miniflux Garden

Codes

Codici

CE UK IP65

	Height			CCT (K)		Delivered flux	CRI	Finishes
BMGT30	082	820 mm	G26	D	2700	830lm (24V)	>90	AN ●
	122	1220 mm		W	3000	923lm (24V)	>90	
				N	4000	1025lm (24V)	>90	

Example code:
BMGT30082G26DAN

Note: Driver not included p.69 | cable length 3m, parallel connection

Accessories

Accessori

Miniflux Garden

External accessories / not included
Accessori esterni / non inclusi

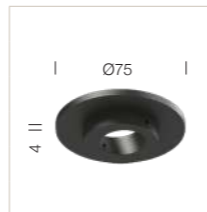
BMFGBASEV



Base for vertical installation
Base per installazione verticale

Finish: Black
Finitura: Nero

BMFGBASEI



Base for 20° inclined installation
Base per installazione inclinata a 20°

Finish: Black
Finitura: Nero



Zirkol Outdoor



Zirkol Outdoor

Material: Aluminum, Resin

Dimension: Ø850 / Ø1000 / Ø1500 mm

CCT: 2700K / 3000K

Accessories: No

Adjustability: No

Fixing: Peg (included)

Dimmable: According to driver

Luminous flux: 1650 lm / 1942 lm / 2913 lm (3000K)

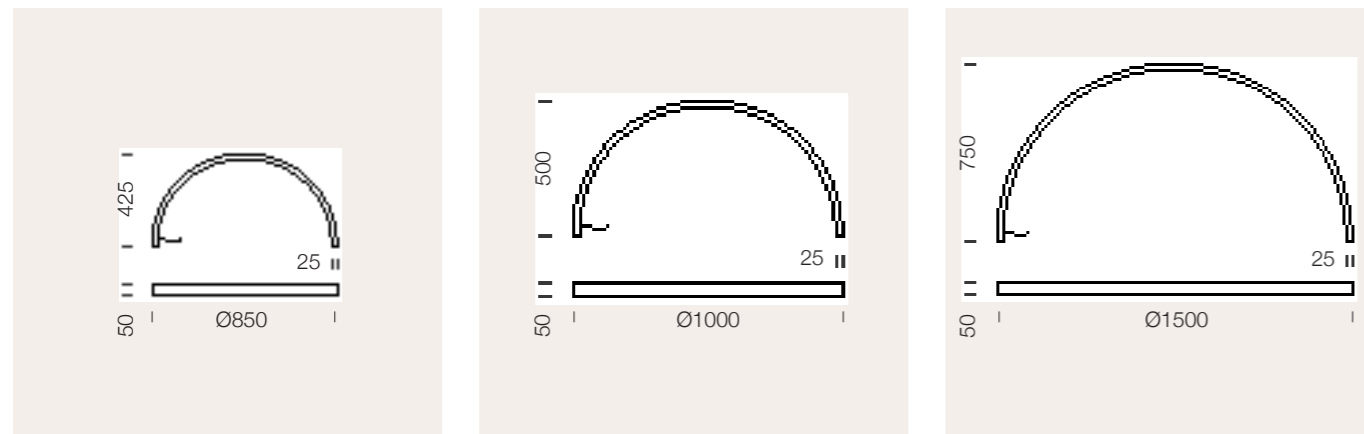
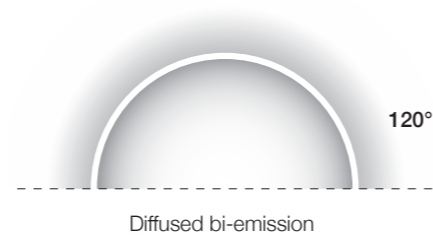
Power consumption: 70 / 90 / 136 W

Input voltage: IN 24V no PSD

IP rating: 65

Finishes:

● Black

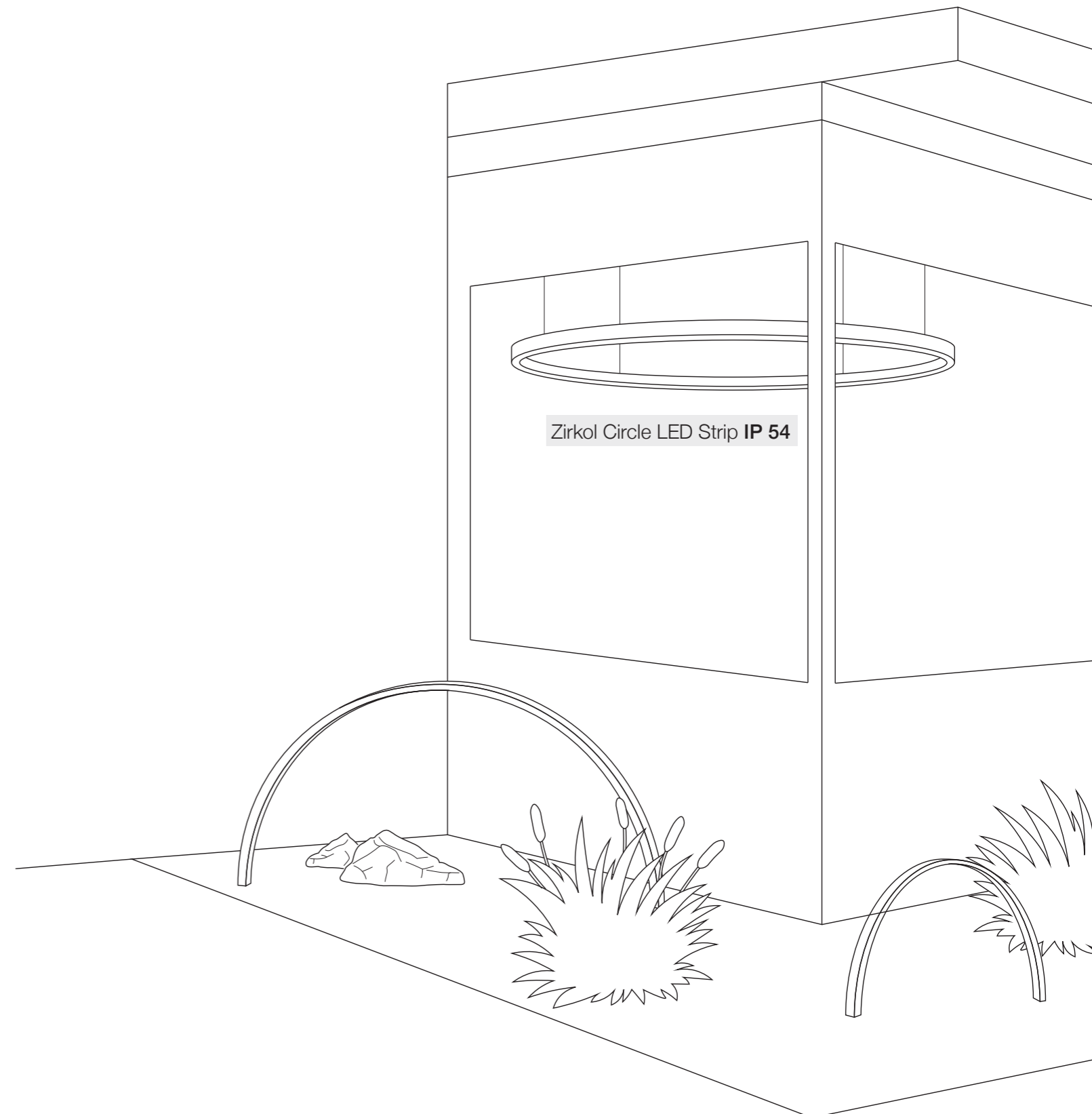


Zirkol range extends to new outdoor solutions. It is available in IP54 and IP65 versions. Zirkol Outdoor, making it suitable for outdoor applications, enhancing courtyards and pathways with its high-quality light effect and distinctive design.

La gamma Zirkol si estende a nuove soluzioni per l'esterno. Disponibile con IP54 e IP65, Zirkol Outdoor garantisce un'illuminazione di elevata qualità, caratterizzando cortili e percorsi con il suo design distintivo.



Black



Zirkol Outdoor

Codes

Codici

CE UK IP65

	Dimension			CCT (K)		Delivered flux	CRI	Finishes
BZRR30	08	Ø850 mm	G15	D	2700	2750lm (24V)	>90	NE ●
	10	Ø1000 mm		W	3000	2913lm (24V)	>90	
	15	Ø1500 mm						

Example code:
BZRR3008G15DNE

Note: Driver not included p.69 | cable length 2m, parallel connection

Accessories

Accessori

Zirkol Outdoor

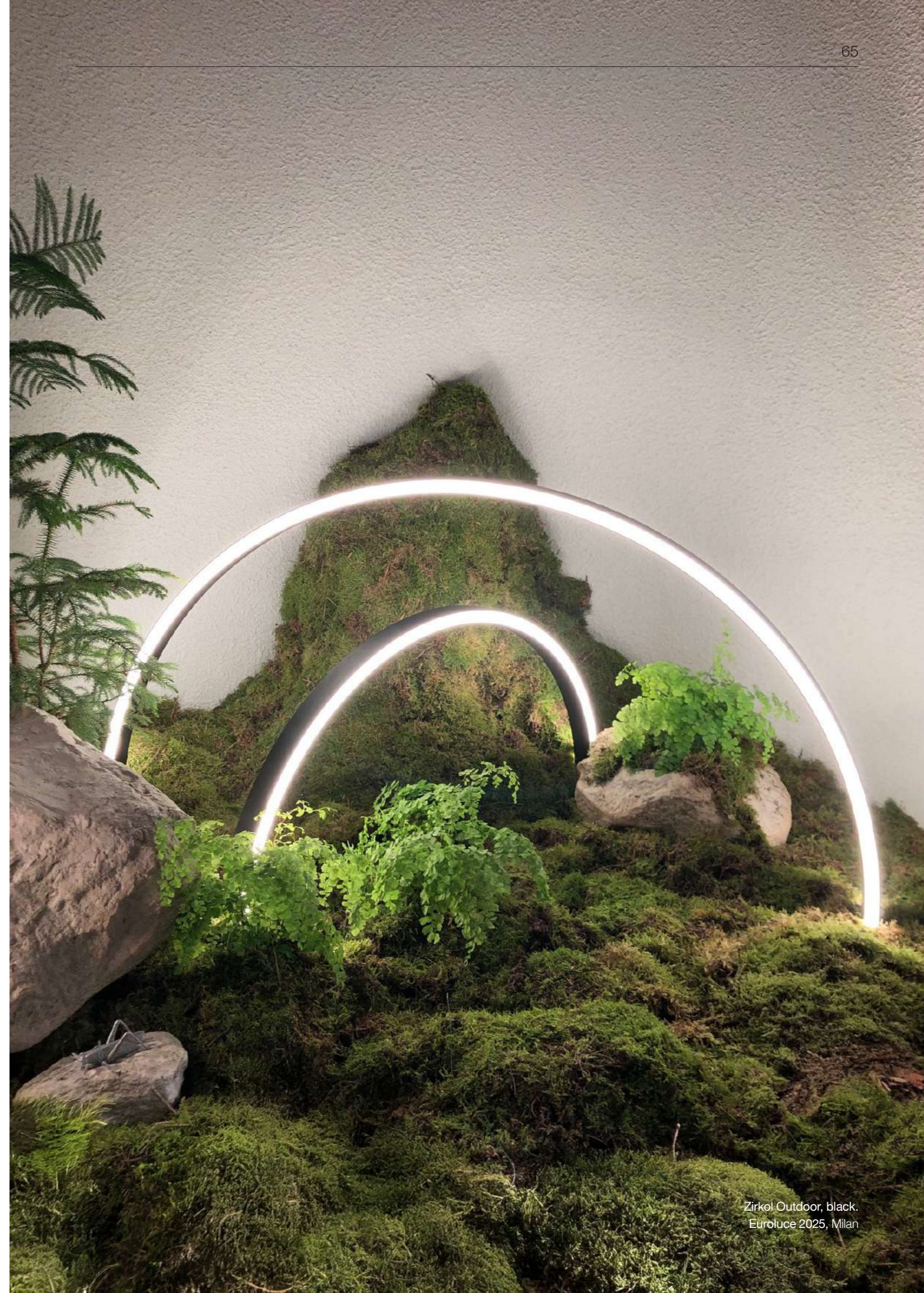
Included accessories
Accessori inclusi



Peg x 2
Picchetto x 2

Finish: Black
Finitura: Nero

Included
Incluso



Driver

Driver

Power supplies are available in on/off, dimmable, adjustable and fixed current versions. They are categorized according to the type of product.

Gli alimentatori sono disponibili in versione on/off, dimmerabile, settabile e a corrente fissa. Sono suddivisi in base al tipo di prodotto.

DRIVER | MIRTILLA / POPPY

Code	Version	Input voltage	Range current	Max power	Setting	Switching	IP	Dimensions mm
WPSUND04700IP	for 1 spot	220-240V	700mA	4W	No	ON-OFF	65	38x27x21
WPSUND12700	for 1 to 5 spots	220-240V	700mA	12W	No	ON-OFF	20	127x50x14
WPSTST350-700	for 3 to 4 spots	220-240V	700mA*	10W	No	TRIAC	20	110x30x22
WPS1ST350-700	for 1 to 4 spots	220-240V	700mA*	10W	Yes	1-10V	20	110x30x22
WPSDST250-700	for 2 to 7 spots	110-240V	700mA*	20W	Yes	DALI	20	120x52x22
WPCST150-700	for 4 to 12 spots	220-240V	700mA*	26W	Yes	CASAMBI	20	97x43x30

Note: for outdoor installation IP connection system not included, series connection, *to be setted

DRIVER | OLIVER

Code	Version	Input voltage	Range current	Max power	Setting	Switching	IP	Dimensions mm
WPSUND12700	for 1 spot	220-240V	700mA	12W	No	ON-OFF	20	127x50x14
WPSUND33700IP	for 1 to 3 spots	90-264V	700mA	33W	No	ON-OFF	67	148x40x30
WPSTST350-700	for 1 spot	220-240V	700mA*	10W	No	TRIAC	20	110x30x22
WPSTST550-900	for 1 to 3 spots	220-240V	700mA*	29W	Yes	TRIAC	20	110x30x22
WPS1ST350-700	for 1 spot	220-240V	700mA*	10W	Yes	1-10V	20	110x30x22
WPS1ST250-1A	for 2 to 3 spots	110-277V	700mA*	29W	Yes	1-10V	20	139x42x30
WPSDST250-700	for 1 to 2 spots	110-240V	700mA*	20W	Yes	DALI	20	120x52x22
WPSDST250-1A	for 1 to 3 spots	110-277V	700mA*	35W	Yes	DALI	20	139x42x30
WPCST150-700	for 1 to 3 spots	220-240V	700mA*	26W	Yes	CASAMBI	20	97x43x30

Note: for outdoor installation IP connection system not included, series connection, *to be setted

DRIVER | TWIG / NEBULA

Code	Version	Input voltage	Range current	Max power	Setting	Switching	IP	Dimensions mm
WPSUND03350IP	for 1 to 2 spots	220-240V	350mA	3W	No	ON-OFF	65	37x23x21
WPSUND04350IP	for 1 to 3 spots	220-240V	350mA	4W	No	ON-OFF	66	52x26x21
WPSUND16350IP	for 3 to 13 spots	220-240V	350mA	16W	No	ON-OFF	67	140x30x22
WPSTST350-700	for 1 to 5 spots	220-240V	350mA*	7W	Yes	TRIAC	20	110x30x22
WPS1ST350-700	for 1 to 5 spots	220-240V	350mA*	7W	Yes	1-10V	20	110x30x22
WPSDST250-700	for 4 to 13 spots	110-240V	350mA*	17W	Yes	DALI	20	120x52x22
WPCST150-700	for 4 to 13 spots	220-240V	350mA*	18W	Yes	CASAMBI	20	97x43x30

Note: for outdoor installation IP connection system not included, series connection, *to be setted

DRIVER | MINIFLUX GARDEN

Code	Input voltage	Output voltage	Max power	Switching	IP	Dimensions mm
WPSU20W24V	220-240V	24VDC	20W	ON-OFF	20	103X35X16
WPSU25W24VIP	110-240V	24VDC	25W	ON-OFF	67	148x40x32
WPSU60W24V	220-240V	24VDC	60W	ON-OFF	20	180x52x30
WPSU60W24VIP	90-305V	24VDC	60W	ON-OFF	67	163x43x32
WPSU75W24VIP	110-240V	24VDC	75W	ON-OFF	67	140x63x32
WPSU100W24VIP	110-240V	24VDC	100W	ON-OFF	67	140x63x32
WPSU120W24V	220-240V	24VDC	120W	ON-OFF	20	300X40X30
WPSU150W24VIP	110-240V	24VDC	150W	ON-OFF	67	180x63x35
WPSU150W24V	220-240V	24VDC	150W	ON-OFF	20	179x62x30
WPSU240W24VIP	110-240V	24VDC	240W	ON-OFF	67	244x71x38
WPSU250W24V	200-240V	24VDC	250W	ON-OFF	20	195x67x32
WPST75W24V	220-240V	24VDC	75W	TRIAC	20	212x54x33
WPSD60W24V	220-240V	24VDC	60W	DALI2/PUSH	20	361x30x21
WPSD120W24VIP	110-240V	24VDC	120W	DALI2	67	191x63x38
WPSD150W24V	220-240V	24VDC	150W	DALI2/PUSH	20	350x30x20

Note: for outdoor installation IP connection system not included, parallel connection

DRIVER | ZIRKOL OUTDOOR

Code	Input voltage	Output voltage	Max power	Switching	IP	Dimensions mm
WPSU75W24VIP	110-240V	24VDC	75W	ON-OFF	67	140X63X32
WPSU100W24VIP	110-240V	24VDC	100W	ON-OFF	67	140X63X32
WPSU150W24V	220-240V	24VDC	150W	ON-OFF	20	179x62x30
WPSU250W24V	200-240V	24VDC	250W	ON-OFF	20	195x67x32
WPST75W24V	220-240V	24VDC	75W	TRIAC	20	212x54x33
WPSD60W24V	220-240V	24VDC	60W	DALI2/PUSH	20	361x30x21
WPSD150W24V	220-240V	24VDC	150W	DALI2/PUSH	20	350X30X20

Note: for outdoor installation IP connection system not included, parallel connection

DIMMER INTERFACE | ZIRKOL OUTDOOR

Code	Output voltage	Max power	Switching	IP	Dimensions mm
WDIMALIHP	24V	240W	0-10V 1-10V PUSH DALI*	20	44x57x25
WIRED	Note: *to combine with driver ON/OFF				
WBLTSMART	/	/	CASAMBI PUSH*	20	44x57x25
WIRELESS	Note: *to combine with driver ON/OFF, iOS and Android compatible				



CREDITS

- Poppy, Mirtilla, Oliver, Nebula, Tilde, Twig - Project: Private residence, Cuneo. Arch. Dario Castellino. Ph. Barbara Corsico - p. 10, 13, 14-15, 17, 18, 22-23, 25, 26, 30-31, 33, 37, 40, 45, 48, 53
- Miniflux Garden, Zirkol Outdoor - Project: Casa Y, Turin. Arch. Luca Maria Gandini. Ph. Barbara Corsico - p. 54, 59, 60

GENERAL INFORMATION

IT

Obiettivo di ILTI LUCE è quello di proporre soluzioni tecnologiche all'avanguardia, anche tramite un continuo e costante processo di aggiornamento. Per definizione la tecnologia è mutevole ed in costante evoluzione. Sugeriamo, per assicurare la consultazione delle informazioni più recenti sui prodotti, di verificare quelle disponibili sul nostro website www.iltiluce.com. Questo documento è stato redatto a marzo 2026. Sostituisce ed aggiorna qualsiasi altra pubblicazione in relazione ai prodotti elencati. A causa di naturali limiti tecnici di riproduzione e stampa, il colore dei modelli a catalogo è puramente indicativo e non può costituire motivo di rivalsa.

EN

ILTI LUCE's goal is to propose cutting-edge technological solutions, also through a constant updating process. By definition, technology is changing and continuously evolving. To ensure the consultation of the latest product data, we recommend referring to the information available on our website www.iltiluce.com. This document was drafted in March 2026. It replaces and updates any other publication in relation to the listed products. Due to natural technical limitations of reproduction and printing, the colour of the models in the catalogue is purely indicative and cannot constitute grounds for recourse.

DE

Das Ziel von ILTI LUCE ist die Entwicklung von technologischen Lösungen auf dem neuesten Stand, auch durch einen ständigen Aktualisierungsprozess. Die Technik entwickelt sich ständig weiter. Um die aktuellsten Produktunterlagen einzusehen, empfehlen wir, sich auf die Informationen auf unserer Website www.iltiluce.com zu beziehen. Dieses Dokument wurde im März 2026 verfasst. Es ersetzt und aktualisiert alle anderen Veröffentlichungen in Bezug auf die aufgeführten Produkte. Aufgrund der technischen Grenzen der Reproduktion und des Drucks sind die Farben der im Katalog abgebildeten Modelle rein indikativ und können nicht als Reklamationsgrund dienen.

FR

L'objectif de ILTI LUCE est de proposer des solutions technologiques de pointe, également à travers un processus de mise à jour constante. Par définition, la technologie évolue et change continuellement. Pour garantir la consultation des dernières données produits, nous vous recommandons de vous référer aux informations disponibles sur notre site www.iltiluce.com. Ce document a été établi en Mars 2026. Il remplace et met à jour toute autre publication relative aux produits cités. En raison des limites techniques naturelles de reproduction et d'impression, la couleur des modèles du catalogue est purement indicative et ne peut constituer un motif de réclamation.



Photometric data and more information available on our website:

www.iltiluce.com



Scan the code for Terms & Conditions

ILTI LUCE

ILTI LUCE

Strada Borgata Paradiso, 20
10036 Settimo Torinese - ITALY
Tel. +39 011 765 73 01
info@iltiluce.com

www.iltiluce.com

Part of

NEMO Group

NEMO SHOWROOM MONFORTE

Corso Monforte 19/A,
20122 Milan
Tel +39 02 970 703 40
monforte@nemolighting.com

NEMO GALERIE PARIS

44, Rue du Bac
75007 Paris
Tel +33 (0) 1 486 318 42
ruedubac@nemolighting.fr

NEMO DUBAI

Dubai Design District, Building 3
Dubai
United Arab Emirates
Tel +971 569969117
gagan.chhibber@reggiani.net

NEMO USA

625 Jersey Avenue, Unit 7
New Brunswick, NJ 08901
Tel +1 800 734 5858
usa@nemolighting.com
nemolighting.com/usa/

NEMO COPENHAGEN

Store Kongensgade 118
1264 København
Denmark

