

# ZIRKOL OUTDOOR

Die Zirkol-Kollektion erweitert sich um neue Lösungen für den Außenbereich. Zirkol Outdoor ist in den Schutzarten IP54 und IP65 erhältlich und setzt mit hochwertigem Licht und markantem Design Akzente in Höfen und auf Wegen.



# Ø850MM | 2700K

## LAMPING

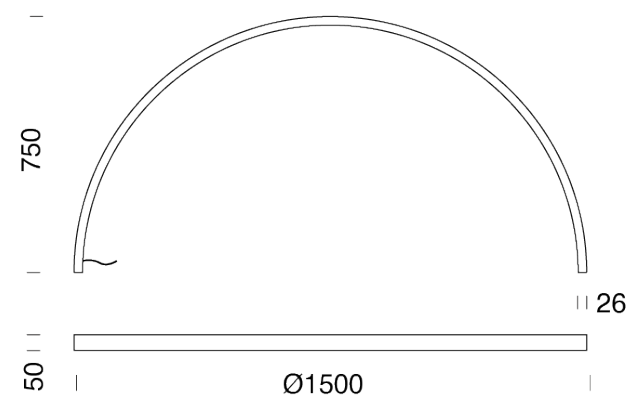
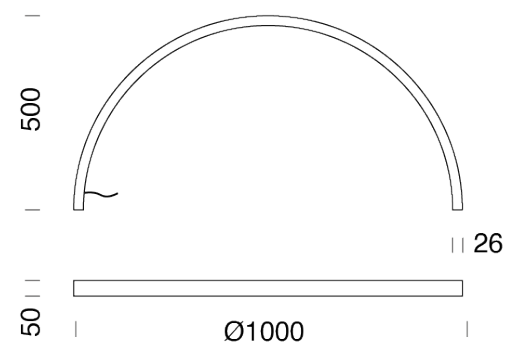
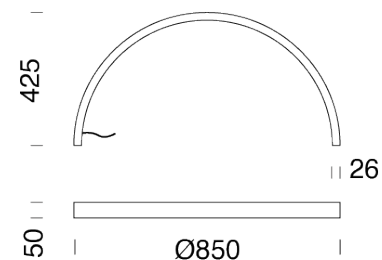
Source	LED strip
Total power	70W
Emission	diffused
Switching	according to driver
Tension	IN 24V
Color temperature	2700K
Typ CRI	>90
IP class	65
Dimensions	ø850x425mm
Materials	aluminium, resin
Notes	cable length 2m   parallel connection

## Codes

BZRR08G15DNE

## Structure

black



## Ø850MM | 3000K

### LAMPING

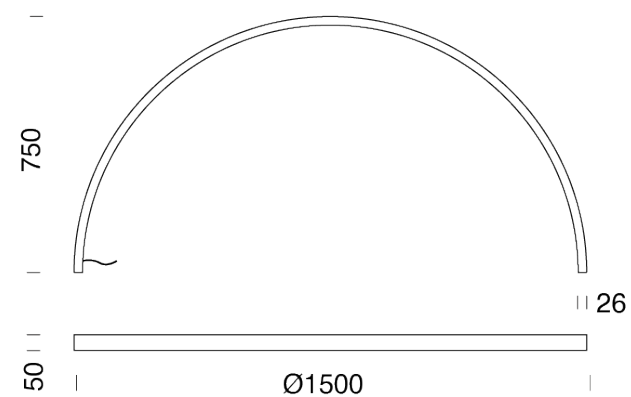
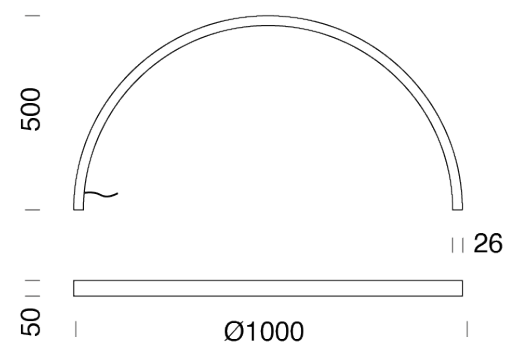
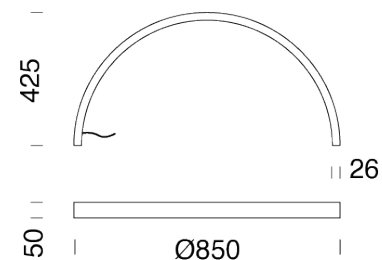
Source	LED strip
Total power	70W
Emission	diffused
Switching	according to driver
Tension	IN 24V
Color temperature	3000K
Luminous flux	1650lm
Typ CRI	>90
IP class	65
Dimensions	ø850x425mm
Materials	aluminium, resin
Notes	cable length 2m   parallel connection

### Codes

BZRR08G15WNE

### Structure

black



# Ø1000MM | 2700K

## LAMPING

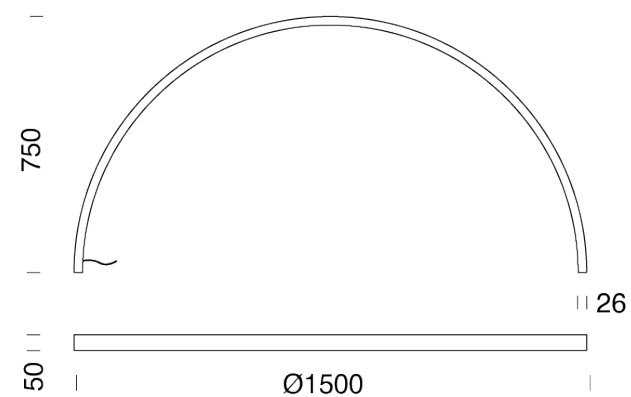
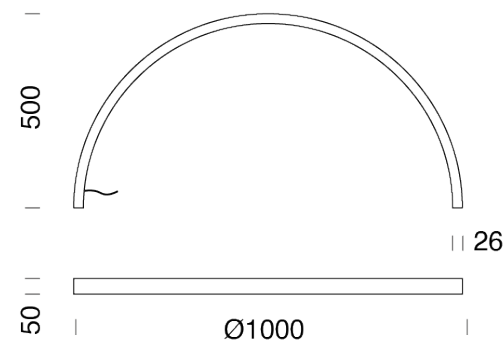
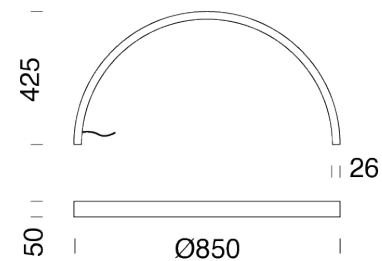
Source	LED strip
Total power	90W
Emission	diffused
Switching	according to driver
Tension	IN 24V
Color temperature	2700K
Typ CRI	>90
IP class	65
Dimensions	ø1000x425mm
Materials	aluminium, resin
Notes	cable length 2m   parallel connection

## Codes

BZRR10G15DNE

## Structure

black



Ø1000MM | 3000K

**LAMPING**

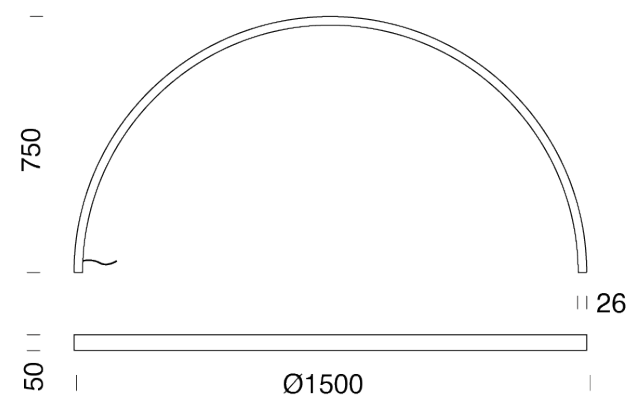
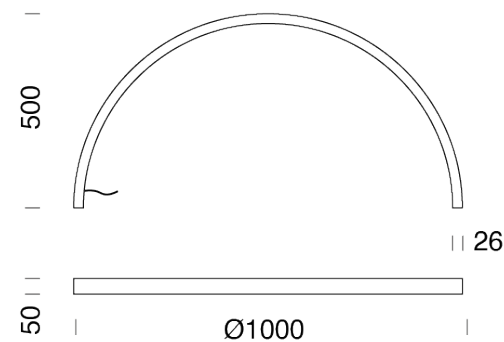
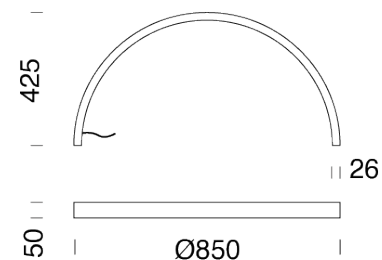
Source	LED Strip
Total power	90W
Emission	diffused
Switching	according to driver
Tension	IN 24V
Color temperature	3000K
Luminous flux	1942lm
Typ CRI	>90
IP class	65
Dimensions	ø1000x425mm
Materials	aluminium, resin
Notes	cable length 2m   parallel connection

**Codes**

BZRR10G15WNE

**Structure**

black



# Ø1500MM | 2700K

## LAMPING

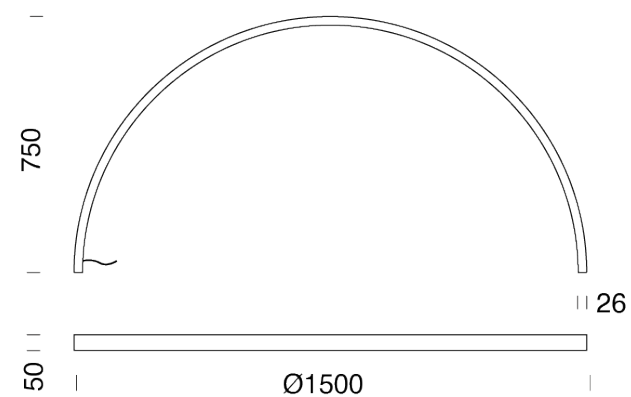
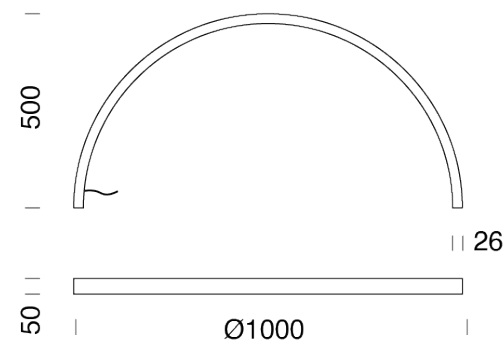
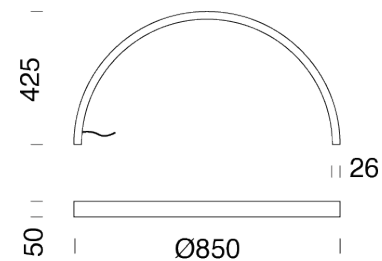
Source	LED Strip
Total power	136W
Emission	diffused
Switching	according to driver
Tension	IN 24V
Color temperature	2700K
Typ CRI	>90
IP class	65
Dimensions	ø1500x750mm
Materials	aluminium, resin
Notes	cable length 2m   parallel connection

## Codes

BZRR15G15DNE

## Structure

black



# Ø1500MM | 3000K

## LAMPING

Source	LED strip
Total power	136W
Emission	diffused
Switching	according to driver
Tension	IN 24V
Color temperature	3000K
Luminous flux	2913lm
Typ CRI	>90
IP class	65
Dimensions	ø1500x750mm
Materials	aluminium, resin
Notes	cable length 2m   parallel connection

## Codes

BZRR15G15WNE

## Structure

black

