

ZIRKOL OUTDOOR

Zirkol range extends to new outdoor solutions. It is available in IP54 and IP65 versions. Zirkol Outdoor, making it suitable for outdoor applications, enhancing courtyards and pathways with its high-quality light effect and distinctive design.



Ø850MM | 2700K

LAMPING

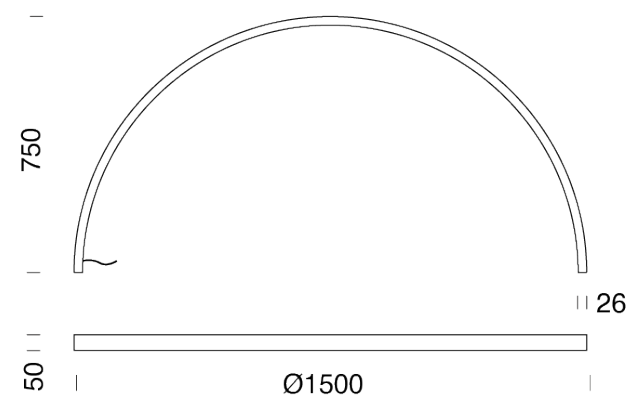
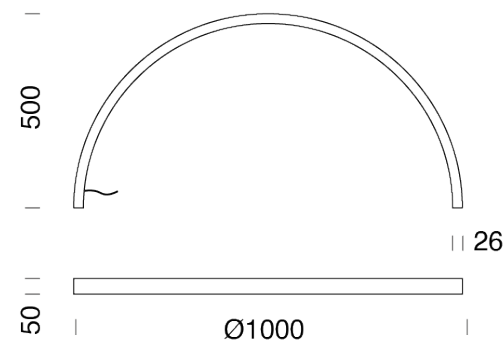
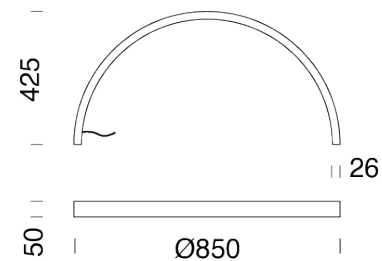
Source	LED strip
Total power	70W
Emission	diffused
Switching	according to driver
Tension	IN 24V
Color temperature	2700K
Typ CRI	>90
IP class	65
Dimensions	ø850x425mm
Materials	aluminium, resin
Notes	cable length 2m parallel connection

Codes

BZRR08G15DNE

Structure

black



Ø850MM | 3000K

LAMPING

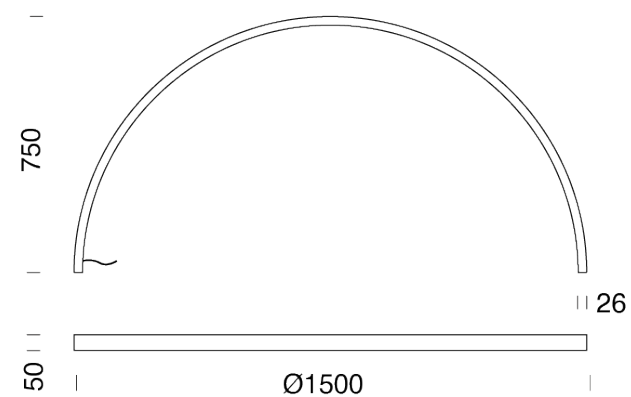
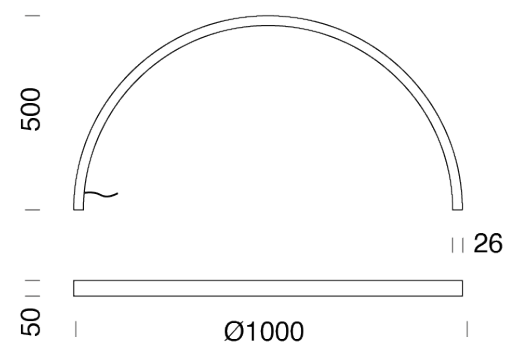
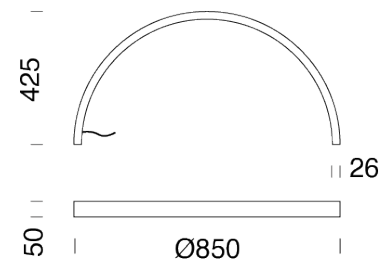
Source	LED strip
Total power	70W
Emission	diffused
Switching	according to driver
Tension	IN 24V
Color temperature	3000K
Luminous flux	1650lm
Typ CRI	>90
IP class	65
Dimensions	ø850x425mm
Materials	aluminium, resin
Notes	cable length 2m parallel connection

Codes

BZRR08G15WNE

Structure

black



Ø1000MM | 2700K

LAMPING

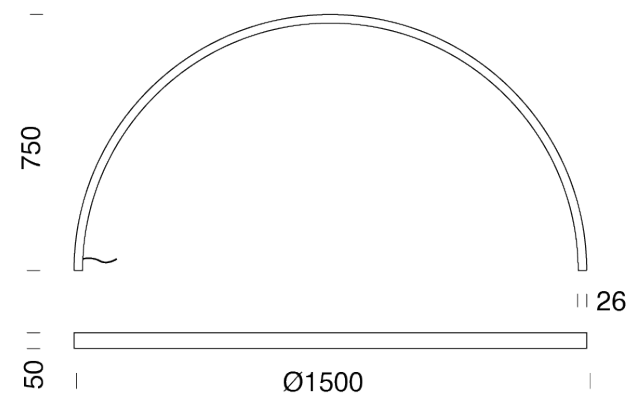
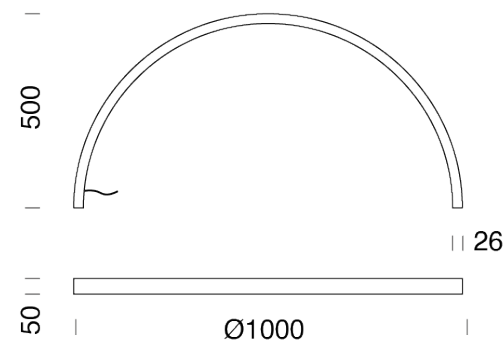
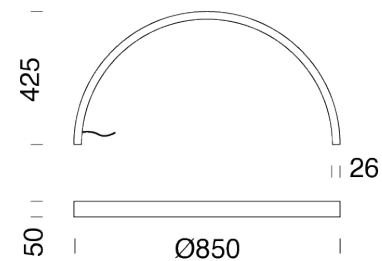
Source	LED strip
Total power	90W
Emission	diffused
Switching	according to driver
Tension	IN 24V
Color temperature	2700K
Typ CRI	>90
IP class	65
Dimensions	ø1000x425mm
Materials	aluminium, resin
Notes	cable length 2m parallel connection

Codes

BZRR10G15DNE

Structure

black



Ø1000MM | 3000K

LAMPING

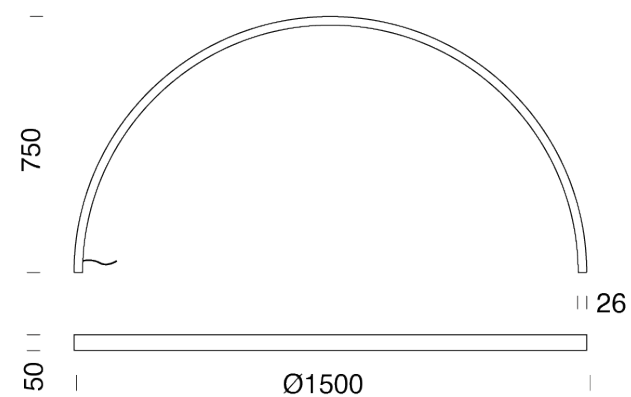
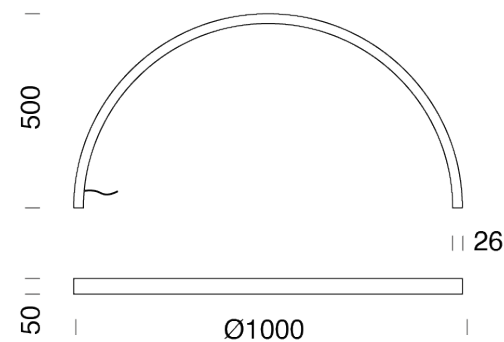
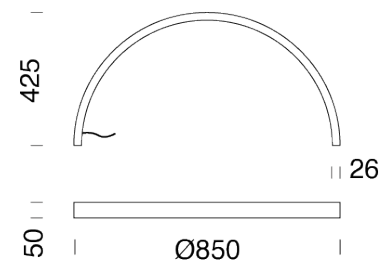
Source	LED Strip
Total power	90W
Emission	diffused
Switching	according to driver
Tension	IN 24V
Color temperature	3000K
Luminous flux	1942lm
Typ CRI	>90
IP class	65
Dimensions	ø1000x425mm
Materials	aluminium, resin
Notes	cable length 2m parallel connection

Codes

BZRR10G15WNE

Structure

black



Ø1500MM | 2700K

LAMPING

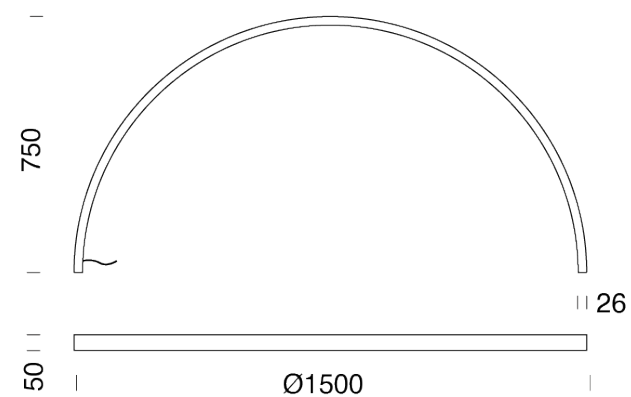
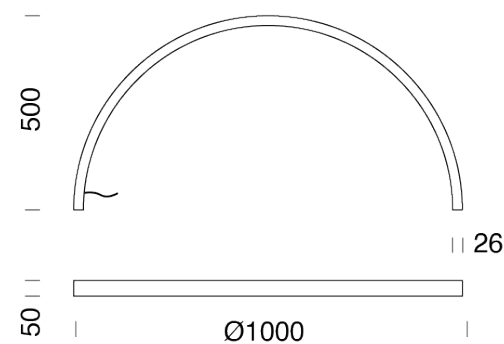
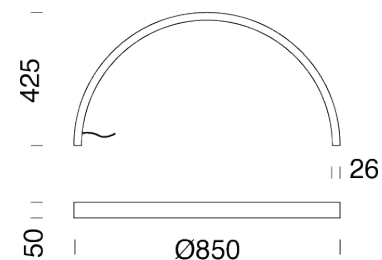
Source	LED Strip
Total power	136W
Emission	diffused
Switching	according to driver
Tension	IN 24V
Color temperature	2700K
Typ CRI	>90
IP class	65
Dimensions	ø1500x750mm
Materials	aluminium, resin
Notes	cable length 2m parallel connection

Codes

BZRR15G15DNE

Structure

black



Ø1500MM | 3000K

LAMPING

Source	LED strip
Total power	136W
Emission	diffused
Switching	according to driver
Tension	IN 24V
Color temperature	3000K
Luminous flux	2913lm
Typ CRI	>90
IP class	65
Dimensions	ø1500x750mm
Materials	aluminium, resin
Notes	cable length 2m parallel connection

Codes

BZRR15G15WNE

Structure

black

