

# ZIRKOL CIRCLE WALL

Dédié à l'éclairage indirect et à forte connotation décorative, Zirkol Wall est la nouvelle lampe de la collection, proposée avec une forme circulaire et une fixation murale. Trois températures de couleur LED disponibles, 2700K, 3000K ou 4000K et finition noire. La longueur des supports inclus, vous permet de créer différentes compositions de plusieurs lampes, pour un éclairage d'ambiance personnalisé.



Ø 1M | 2700K

### LAMPING

Source	LED strip
Total power	45W
Emission	indirect diffused
Switching	DALI
Tension	24V
Color temperature	2700K
Luminous flux	2616lm
Initial luminaire efficacy	58lm/W
Initial chromaticity	SDCM<3
Typ CRI	90
IP class	40
Dimensions	Ø100x5cm
Materials	aluminium
Ambient temperature range	0°C / +35°C
Performance ambient temperature	25°C
Notes	

Customization options

Energy class  
Net lamp weight

included: 1 x driver 60W (110/240V) | 1 x dimmer  
DALI | 3 x tige 5 cm | 3 x tige 11 cm | 1 x electrical  
cable 50cm | remote driver | RAL 9005 black |  
shipped assembled | indirect light emission  
external electrical cable | light configurations,  
separate light control, control systems

E  
4 kg

### Codes

BZRC4210G15DNE

### Structure

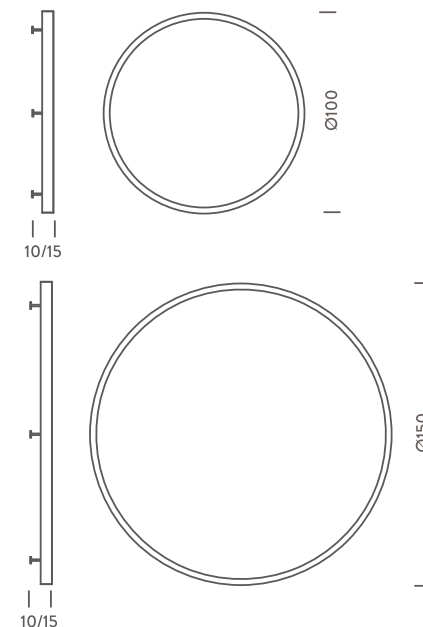
black

### PACKAGE

Package 01

Dimension: 110x110x15 cm / Gross weight: 6,5 kg

### Certificazioni



Ø 1M | 3000K

### LAMPING

Source	LED strip
Total power	45W
Emission	indirect diffused
Switching	DALI
Tension	24V
Color temperature	3000K
Luminous flux	2769lm
Initial luminaire efficacy	62lm/W
Initial chromaticity	SDCM<3
Typ CRI	90
IP class	40
Dimensions	Ø100x5cm
Materials	aluminium
Ambient temperature range	0°C / +35°C
Performance ambient temperature	25°C
Notes	included: 1 x driver 60W (110/240V)   1 x dimmer DALI   3 x tige 5 cm   3 x tige 11 cm   1 x electrical cable 50cm   remote driver   RAL 9005 black   shipped assembled   indirect light emission

Customization options

external electrical cable | light configurations, separate light control, control systems

Energy class

E

Net lamp weight

4 kg

### Codes

BZRC4210G15WNE

### Structure

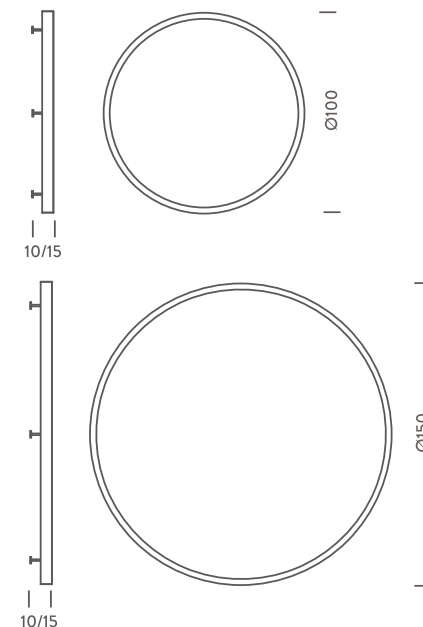
black

### PACKAGE

Package 01

Dimension: 110x110x15 cm / Gross weight: 6,5 kg

### Certificazioni



Ø 1M | 4000K

### LAMPING

Source	LED strip
Total power	45W
Emission	indirect diffused
Switching	DALI
Tension	24V
Color temperature	4000K
Luminous flux	3077lm
Initial luminaire efficacy	68lm/W
Initial chromaticity	SDCM<3
Typ CRI	90
IP class	40
Dimensions	Ø100x5cm
Materials	aluminum
Ambient temperature range	0°C / +35°C
Performance ambient temperature	25°C
Notes	

Customization options

Energy class  
Net lamp weight

included: 1 x driver 60W (110/240V) | 1 x dimmer  
DALI | 3 x tige 5 cm | 3 x tige 11 cm | 1 x electrical  
cable 50cm | remote driver | RAL 9005 black |  
shipped assembled | indirect light emission

external electrical cable | light configurations,  
separate light control, control systems

D  
4 kg

### Codes

BZRC4210G15NNE

### Structure

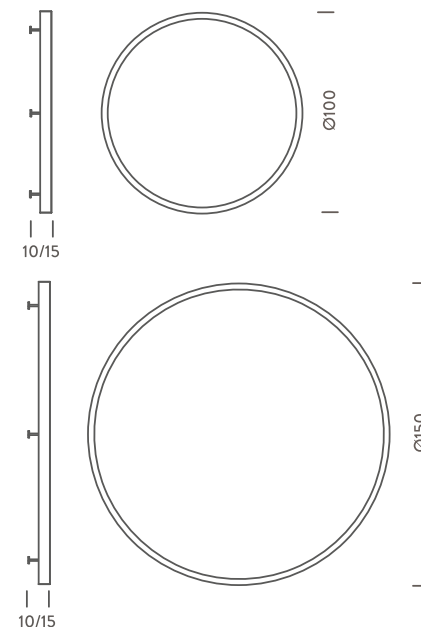
black

### PACKAGE

Package 01

Dimension: 110x110x15 cm / Gross weight: 6,5 kg

### Certificazioni



Ø 1,5M | 2700K

### LAMPING

Source	LED strip
Total power	68W
Emission	indirect diffused
Switching	DALI
Tension	24V
Color temperature	2700K
Luminous flux	3923lm
Initial luminaire efficacy	57lm/W
Initial chromaticity	SDCM<3
Typ CRI	90
IP class	40
Dimensions	Ø150x5cm
Materials	aluminum
Ambient temperature range	0°C / +35°C
Performance ambient temperature	25°C
Notes	included: 1 x driver 75W (110/240V)   1 x dimmer DALI   3 x tige 5 cm   3 x tige 11 cm   1 x electrical cable 50cm   remote driver   RAL 9005 black   shipped assembled   indirect light emission

Customization options

external electrical cable | light configurations, separate light control, control systems

Energy class

E

Net lamp weight

4 kg

### Codes

BZRC4215G15DNE

### Structure

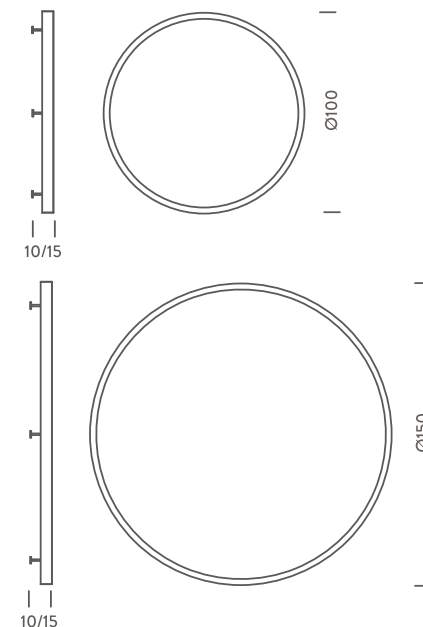
black

### PACKAGE

Package 01

Dimension: 160x160x15 cm / Gross weight: 6,5 kg

### Certificazioni



Ø 1,5M | 3000K

### LAMPING

Source	LED strip
Total power	68W
Emission	indirect diffused
Switching	DALI
Tension	24V
Color temperature	3000K
Luminous flux	4154lm
Initial luminaire efficacy	61lm/W
Initial chromaticity	SDCM<3
Typ CRI	90
IP class	40
Dimensions	Ø150x5cm
Materials	aluminum
Ambient temperature range	0°C / +35°C
Performance ambient temperature	25°C
Notes	

Customization options

Energy class  
Net lamp weight

included: 1 x driver 75W (110/240V) | 1 x dimmer  
DALI | 3 x tige 5 cm | 3 x tige 11 cm | 1 x electrical  
cable 50cm | remote driver | RAL 9005 black |  
shipped assembled | indirect light emission

external electrical cable | light configurations,  
separate light control, control systems

E  
4 kg

### Codes

BZRC4215G15WNE

### Structure

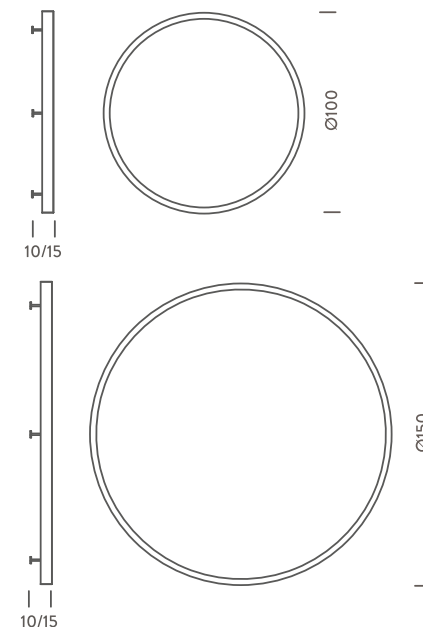
black

### PACKAGE

Package 01

Dimension: 160x160x15 cm / Gross weight: 6,5 kg

### Certificazioni



Ø 1,5M | 4000K

### LAMPING

Source	LED strip
Total power	68W
Emission	indirect diffused
Switching	DALI
Tension	24V
Color temperature	4000K
Luminous flux	4616lm
Initial luminaire efficacy	68lm/W
Initial chromaticity	SDCM<3
Typ CRI	90
IP class	40
Dimensions	Ø150x5cm
Materials	aluminum
Ambient temperature range	0°C / +35°C
Performance ambient temperature	25°C
Notes	included: 1 x driver 75W (110/240V)   1 x dimmer DALI   3 x tige 5 cm   3 x tige 11 cm   1 x electrical cable 50cm   remote driver   RAL 9005 black   shipped assembled   indirect light emission

Customization options

external electrical cable | light configurations, separate light control, control systems

Energy class  
Net lamp weight

D  
4 kg

**Codes**  
BZRC4215G15NNE

**Structure**  
black

**PACKAGE**  
Package 01

Dimension: 160x160x15 cm / Gross weight: 6,5 kg

**Certificazioni**

