

ZIRKOL SIDE

Zirkol Side est la nouvelle lampe de la collection, la seule qui permet une émission de lumière latérale et homogène. Corps en aluminium anodisé et écran de protection opale. Zirkol Side est disponible en finition noir et blanc et en températures de couleur LED 2700K, 3000K et 4000K. Driver déporté et interface variation DALI inclus.



Ø1M | INSIDE-OUTSIDE LIGHT - 2700K

LAMPING

Source	LED strip
Total power	90W
Emission	diffused
Switching	DALI
Tension	24V
Color temperature	2700K
Luminous flux	5231lm
Typ CRI	90
IP class	40
Dimensions	ø100x2,6cm
Materials	aluminium
Notes	included: round canopy with 1 x driver 100W (110/240V) 1 x dimmer DALI 1 x electrical cable 4m 3 x adjustable metal cable (length from 3m to 0,5m) RAL 9005 black RAL 9016 white shipped assembled

Customization options

external electrical cable | light configurations, separate light control, control systems

Codes

BZRS1715G15DNE

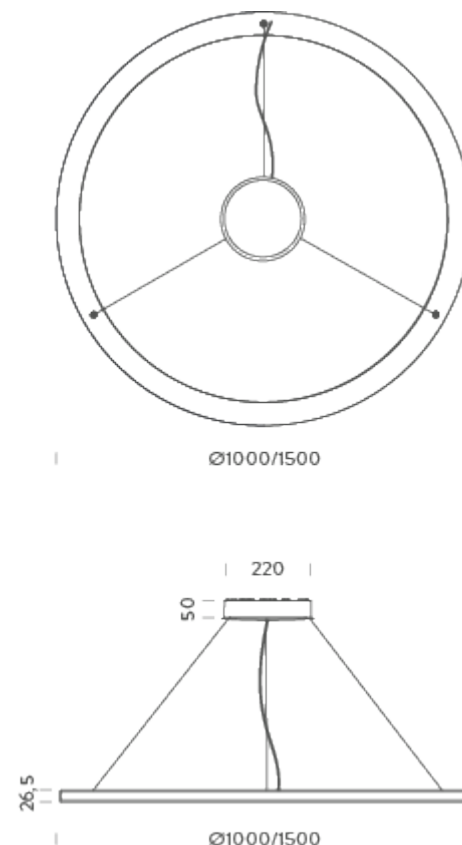
BZRS1715G15DBO

Structure

black

white

Certificazioni



Ø1M | INSIDE-OUTSIDE LIGHT - 3000K

LAMPING

Source	LED strip
Total power	90W
Emission	diffused
Switching	DALI
Tension	24V
Color temperature	3000K
Luminous flux	5539lm
Typ CRI	90
IP class	40
Dimensions	ø100x2,6cm
Materials	aluminium
Notes	included: round canopy with 1 x driver 100W (110/240V) 1 x dimmer DALI 1 x electrical cable 4m 3 x adjustable metal cable (length from 3m to 0,5m) RAL 9005 black RAL 9016 white shipped assembled

Customization options

external electrical cable | light configurations, separate light control, control systems

Codes

BZRS1715G15WNE

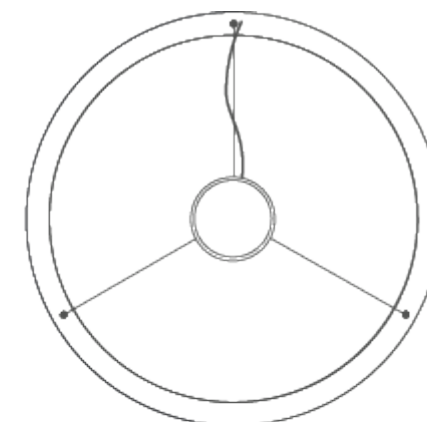
BZRS1715G15WBO

Structure

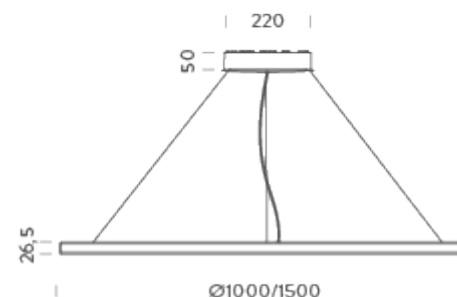
black

white

Certificazioni



Ø1000/1500



Ø1000/1500

Ø1M | INSIDE-OUTSIDE LIGHT - 4000K

LAMPING

Source	LED strip
Total power	90W
Emission	diffused
Switching	DALI
Tension	24V
Color temperature	4000K
Luminous flux	6154lm
Typ CRI	90
IP class	40
Dimensions	ø100x2,6cm
Materials	aluminium
Notes	included: round canopy with 1 x driver 100W (110/240V) 1 x dimmer DALI 1 x electrical cable 4m 3 x adjustable metal cable (length from 3m to 0,5m) RAL 9005 black RAL 9016 white shipped assembled

Customization options external electrical cable | light configurations, separate light control, control systems

Codes

BZRS1715G15NNE

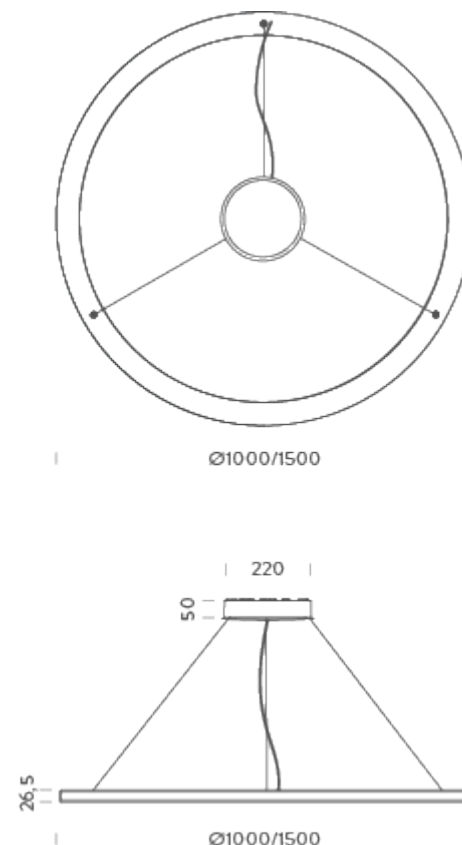
BZRS1715G15NBO

Structure

black

white

Certificazioni



Ø1,5M | INSIDE-OUTSIDE LIGHT - 2700K

LAMPING

Source	LED strip
Total power	136W
Emission	diffused
Switching	DALI
Tension	24V
Color temperature	2700K
Luminous flux	7847lm
Typ CRI	90
IP class	40
Dimensions	ø150x2,6cm
Materials	aluminium
Notes	included: round canopy with 1 x driver 150W (220/240V) 1 x dimmer DALI 1 x electrical cable 4m 3 x adjustable metal cable (length from 3m to 0,5m) RAL 9005 black RAL 9016 white shipped assembled

Customization options

external electrical cable | light configurations, separate light control, control systems

Codes

BZRS1715G15DNE

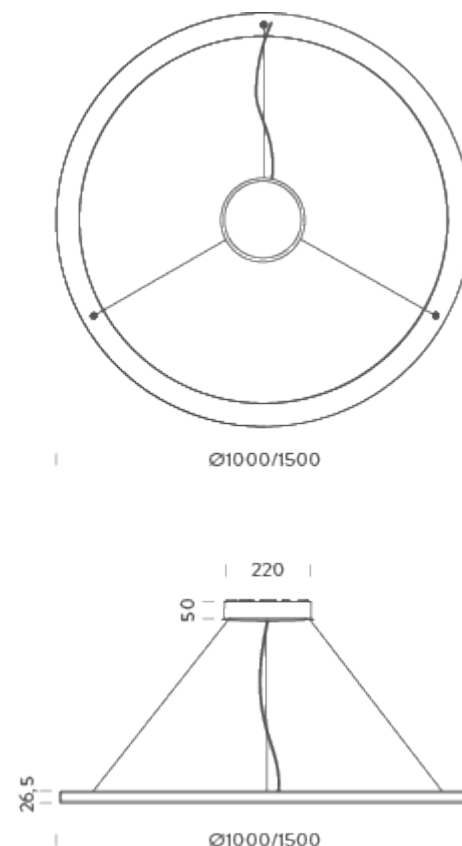
BZRS1715G15DBO

Structure

black

white

Certificazioni



Ø1,5M | INSIDE-OUTSIDE LIGHT - 3000K

LAMPING

Source	LED strip
Total power	136W
Emission	diffused
Switching	DALI
Tension	24V
Color temperature	3000K
Luminous flux	8308lm
Typ CRI	90
IP class	40
Dimensions	ø150x2,6cm
Materials	aluminium
Notes	included: round canopy with 1 x driver 150W (220/240V) 1 x dimmer DALI 1 x electrical cable 4m 3 x adjustable metal cable (length from 3m to 0,5m) RAL 9005 black RAL 9016 white shipped assembled

Customization options

external electrical cable | light configurations, separate light control, control systems

Codes

BZRS1715G15WNE

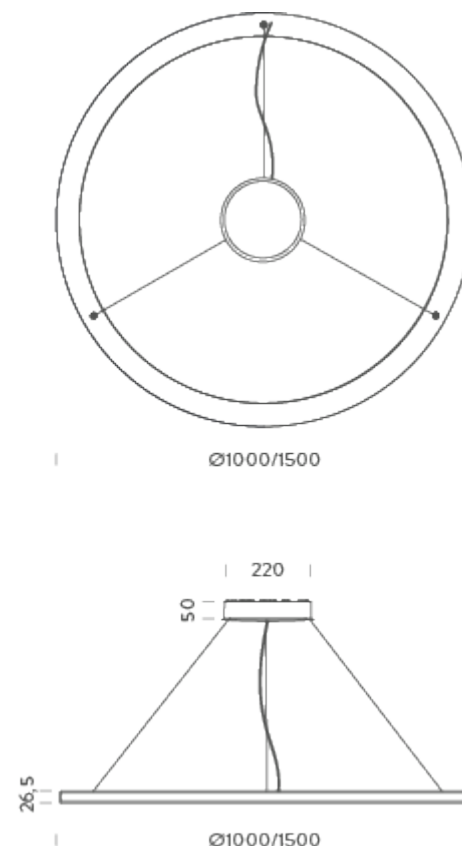
BZRS1715G15WBO

Structure

black

white

Certificazioni



Ø1,5M | INSIDE-OUTSIDE LIGHT - 4000K

LAMPING

Source	LED strip
Total power	136W
Emission	diffused
Switching	DALI
Tension	24V
Color temperature	4000K
Luminous flux	9232lm
Typ CRI	90
IP class	40
Dimensions	ø150x2,6cm
Materials	aluminium
Notes	included: round canopy with 1 x driver 150W (220/240V) 1 x dimmer DALI 1 x electrical cable 4m 3 x adjustable metal cable (length from 3m to 0,5m) RAL 9005 black RAL 9016 white shipped assembled

Customization options

external electrical cable | light configurations, separate light control, control systems

Codes

BZRS1715G15NNE

BZRS1715G15NBO

Structure

black

white

Certificazioni

