

ZIRKOL OUTDOOR

La gamma Zirkol si estende a nuove soluzioni per l'esterno. Disponibile con IP54 e IP65, Zirkol Outdoor garantisce un'illuminazione di elevata qualità, caratterizzando cortili e percorsi con il suo design distintivo.



Ø850MM | 2700K

LAMPING

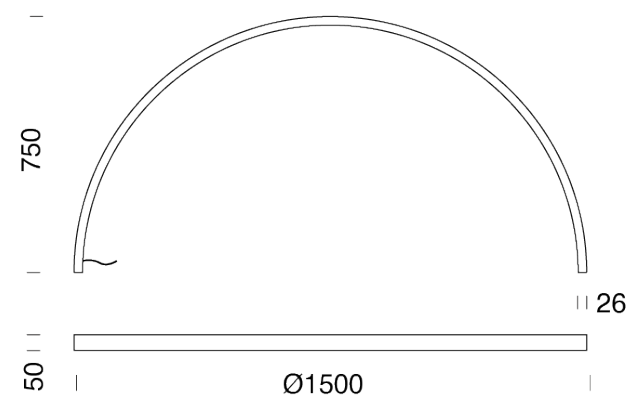
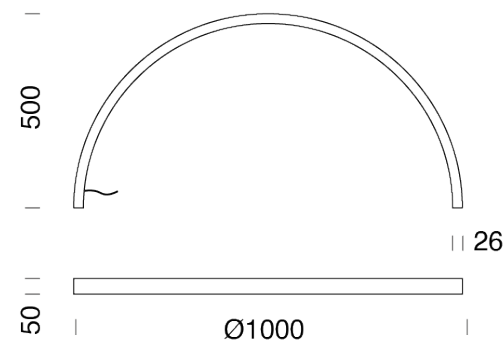
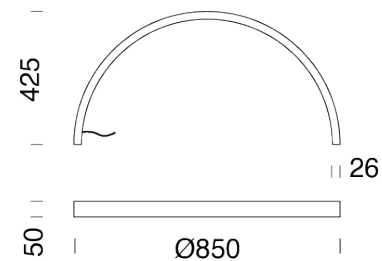
Source	LED strip
Total power	70W
Emission	diffused
Switching	according to driver
Tension	IN 24V
Color temperature	2700K
Typ CRI	>90
IP class	65
Dimensions	ø850x425mm
Materials	aluminium, resin
Notes	cable length 2m parallel connection

Codes

BZRR08G15DNE

Structure

black



Ø850MM | 3000K

LAMPING

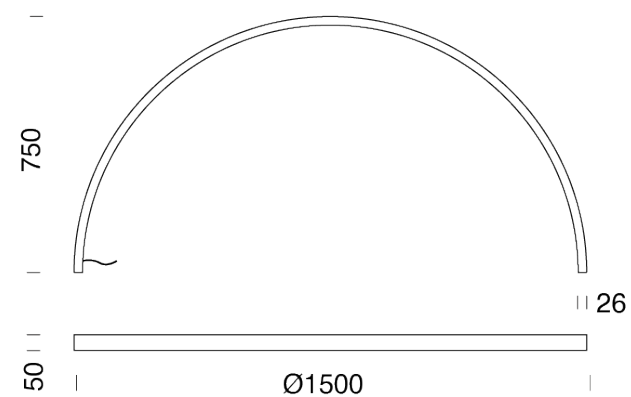
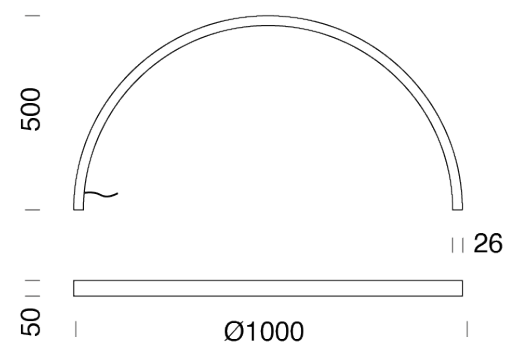
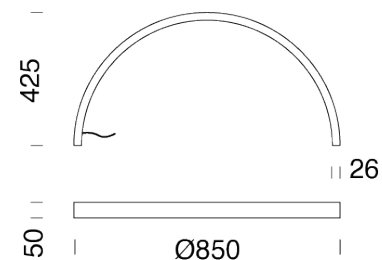
Source	LED strip
Total power	70W
Emission	diffused
Switching	according to driver
Tension	IN 24V
Color temperature	3000K
Luminous flux	1650lm
Typ CRI	>90
IP class	65
Dimensions	ø850x425mm
Materials	aluminium, resin
Notes	cable length 2m parallel connection

Codes

BZRR08G15WNE

Structure

black



Ø1000MM | 2700K

LAMPING

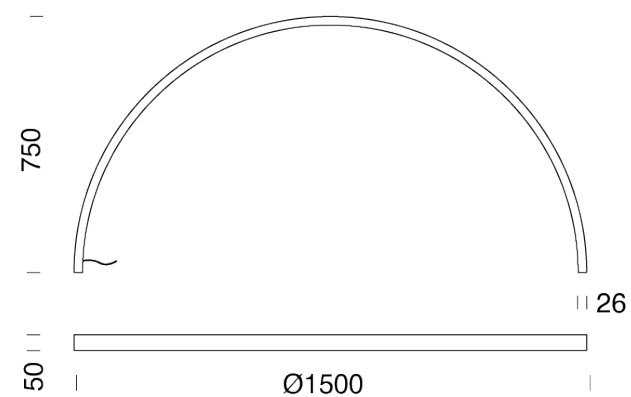
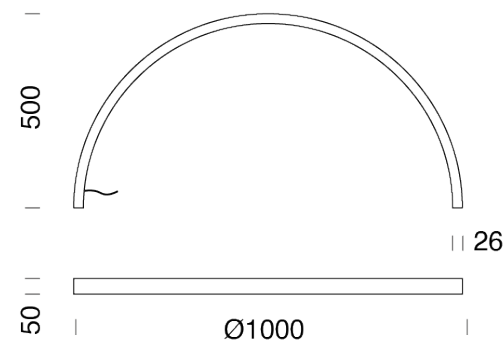
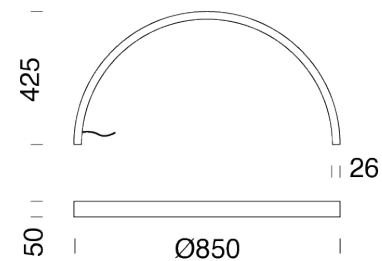
Source	LED strip
Total power	90W
Emission	diffused
Switching	according to driver
Tension	IN 24V
Color temperature	2700K
Typ CRI	>90
IP class	65
Dimensions	ø1000x425mm
Materials	aluminium, resin
Notes	cable length 2m parallel connection

Codes

BZRR10G15DNE

Structure

black



Ø1000MM | 3000K

LAMPING

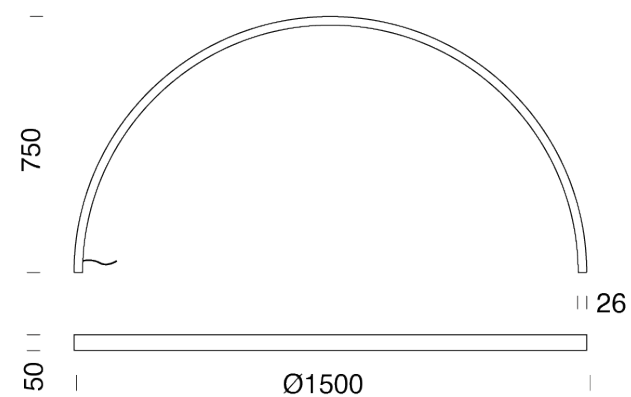
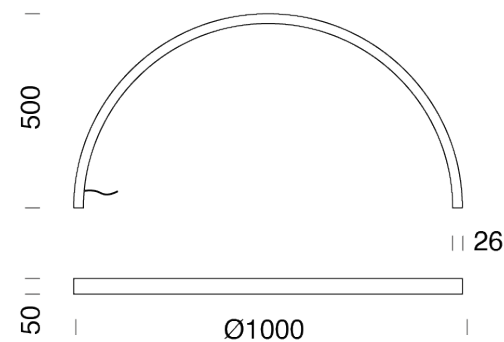
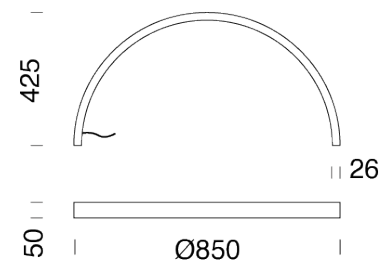
Source	LED Strip
Total power	90W
Emission	diffused
Switching	according to driver
Tension	IN 24V
Color temperature	3000K
Luminous flux	1942lm
Typ CRI	>90
IP class	65
Dimensions	ø1000x425mm
Materials	aluminium, resin
Notes	cable length 2m parallel connection

Codes

BZRR10G15WNE

Structure

black



Ø1500MM | 2700K

LAMPING

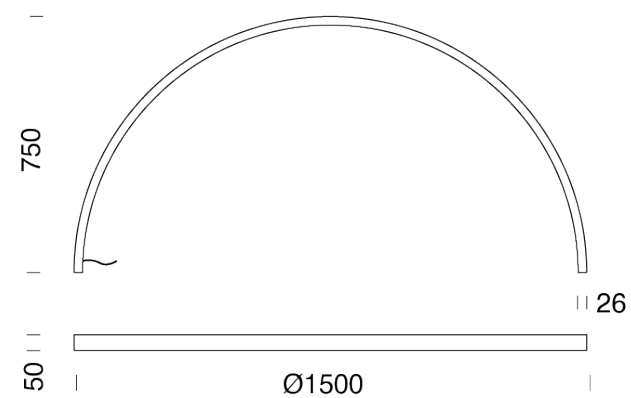
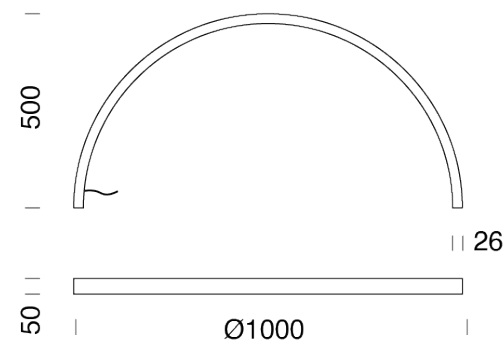
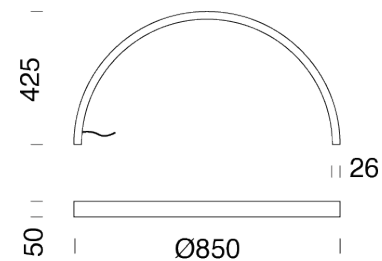
Source	LED Strip
Total power	136W
Emission	diffused
Switching	according to driver
Tension	IN 24V
Color temperature	2700K
Typ CRI	>90
IP class	65
Dimensions	ø1500x750mm
Materials	aluminium, resin
Notes	cable length 2m parallel connection

Codes

BZRR15G15DNE

Structure

black



Ø1500MM | 3000K

LAMPING

Source	LED strip
Total power	136W
Emission	diffused
Switching	according to driver
Tension	IN 24V
Color temperature	3000K
Luminous flux	2913lm
Typ CRI	>90
IP class	65
Dimensions	ø1500x750mm
Materials	aluminium, resin
Notes	cable length 2m parallel connection

Codes

BZRR15G15WNE

Structure

black

